

PROPRIETARY DATA

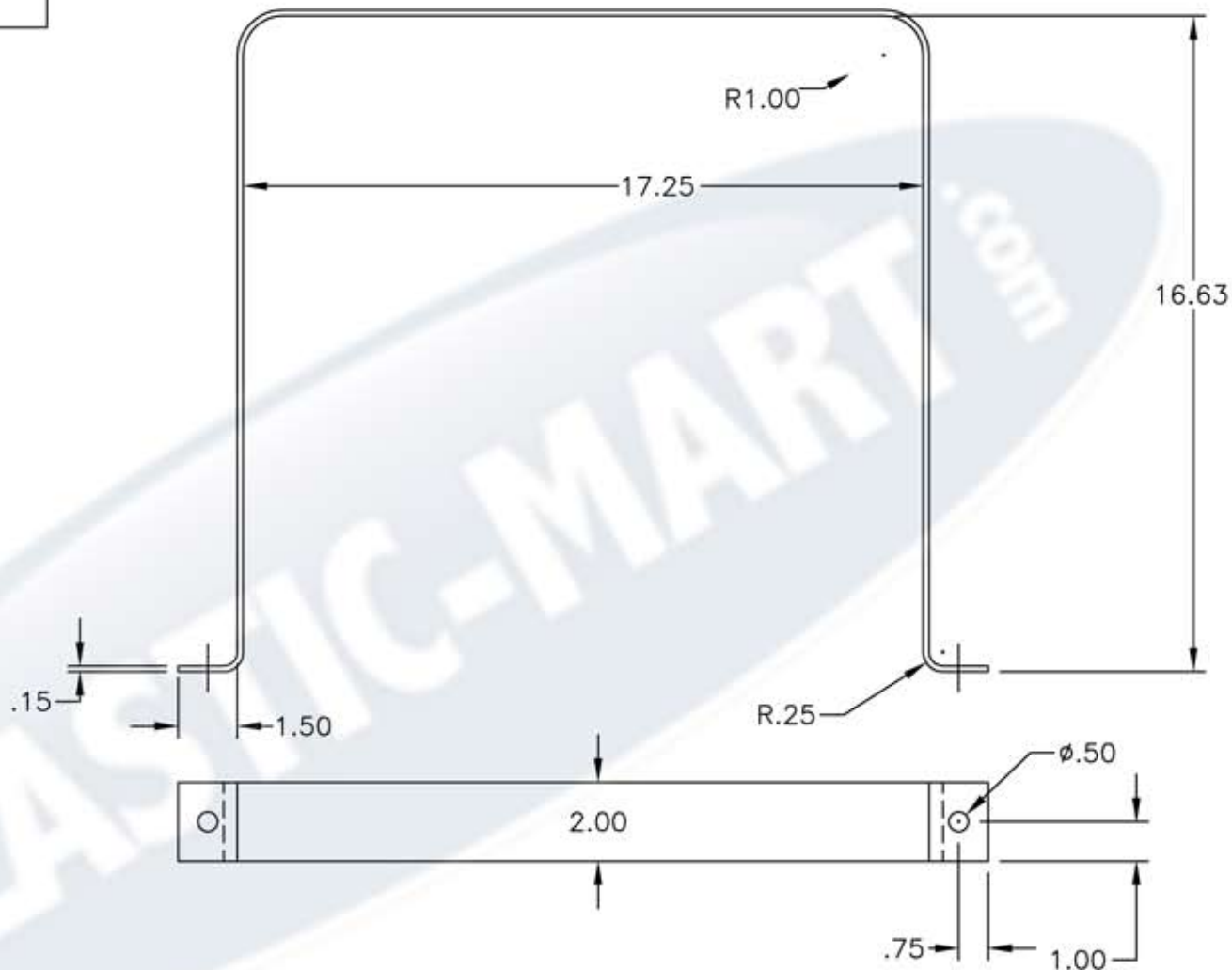
SP0050-SBPS

B

PROPERTY OF ACE ROTO-MOLD MFG., INC. INFORMATION FURNISHED HEREIN IS THE PROPERTY OF ACE ROTO-MOLD MFG., INC. AND SHALL NOT BE USED, DISCLOSED TO OTHERS, OR COPIED WITHOUT THE EXPRESSED WRITTEN CONSENT OF ACE ROTO-MOLD MFG., INC. ALL RIGHTS RESERVED.

SP0050-SBP | 2 PER SET

BLANK LENGTH: 53.5"



REV	DESCRIPTION	DATE	APPRD
B	ADD TEXT BOX/ADD S TO PART #	4/3/07	GWC
A	TOLERANCE WAS 1% @ 68° F	3/13/07	GWC

ALL DIMENSIONS ARE IN DECIMAL INCHES
TOLERANCES UNLESS OTHERWISE SPECIFIED
DECIMAL +/- .064"
FRACTION +/- 1/8"
ANGLE +/- 1°

DRAWN / DATE	NVE 7/1/05
APPRD. / DATE	DHJ 9/27/05

THIRD ANGLE PROJECTION
ANSI 14.5M

MATERIAL	GA 10 (1375) MILD STEEL PC
NOTES:	1. NOM. WALL @ .150 2. POWDER COATED 3. WEIGHT 9 LBS. (2 BANDS)

PLASTIC-MART 866-310-2556

CLIENT / DESCRIPTION: 50 GALLON RECTANGLE POWDER-COATED STEEL BAND

SCALE: N.S. PART NO.: SP0050-SBPS