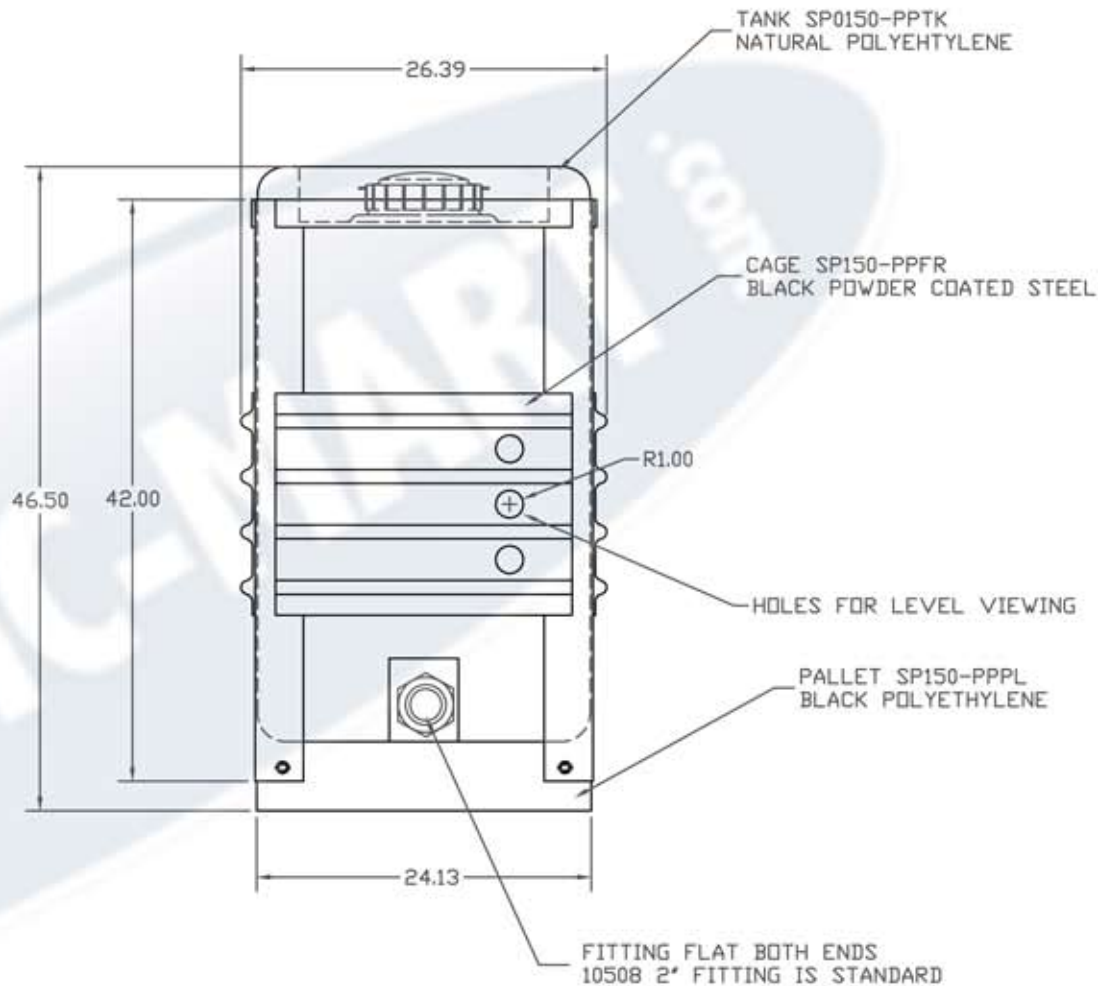
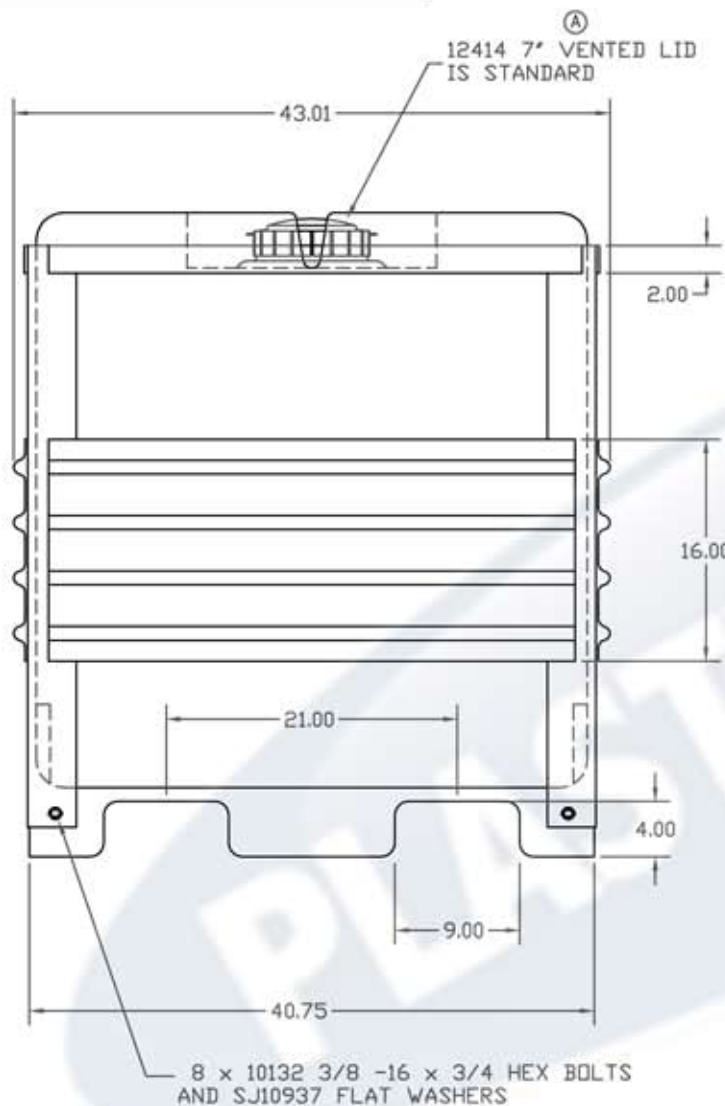


PROPRIETARY DATA

PROPERTY OF ACE ROTO-MOLD MFG, INC. INFORMATION FURNISHED HEREIN IS THE PROPERTY OF ACE ROTO-MOLD MFG, INC AND SHALL NOT BE USED, DISCLOSED TO OTHERS, OR COPIED WITHOUT THE EXPRESSED WRITTEN CONSENT OF ACE ROTO-MOLD MFG, INC. ALL RIGHTS RESERVED.

SP0150-PP



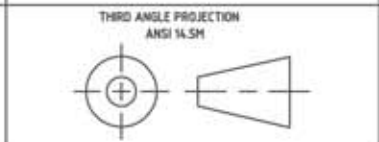
A	CHANGE TO 7" LID	CCN 1308	6/29/07	GWC	
REV	DESCRIPTION	DATE	APPRD		

DRAWN / DATE	DHJ 3/13/06
APPRD. / DATE	GWC 6/29/07

MATERIAL	
----------	--

PLASTIC-MART 866-310-2556

ALL DIMENSIONS ARE IN DECIMAL INCHES
TOLERANCES UNLESS OTHERWISE SPECIFIED
± 1% @ 68° F



NOTES:
1. NOM. WALL OF TANK = .320
2. SHIPPING WEIGHT = 201 LBS.

CLIENT / DESCRIPTION		150 GALLON PALLET PAK ASSEMBLY	
SCALE	N.S.	PART NO.	SP0150-PP