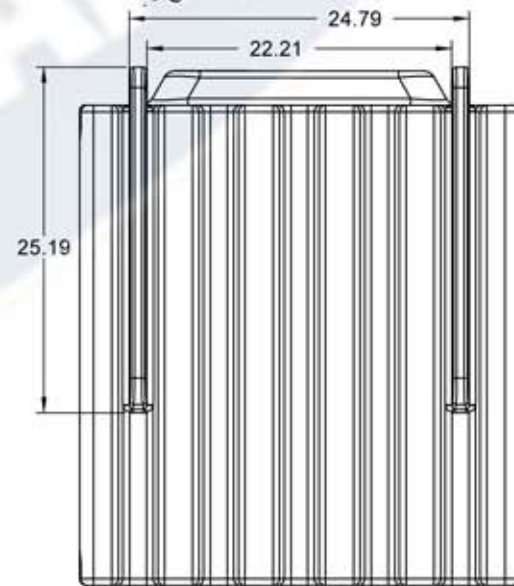
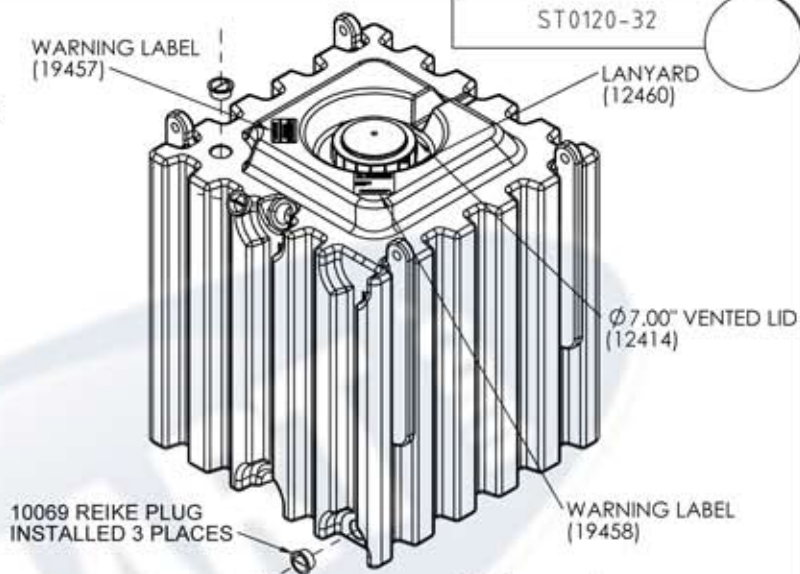
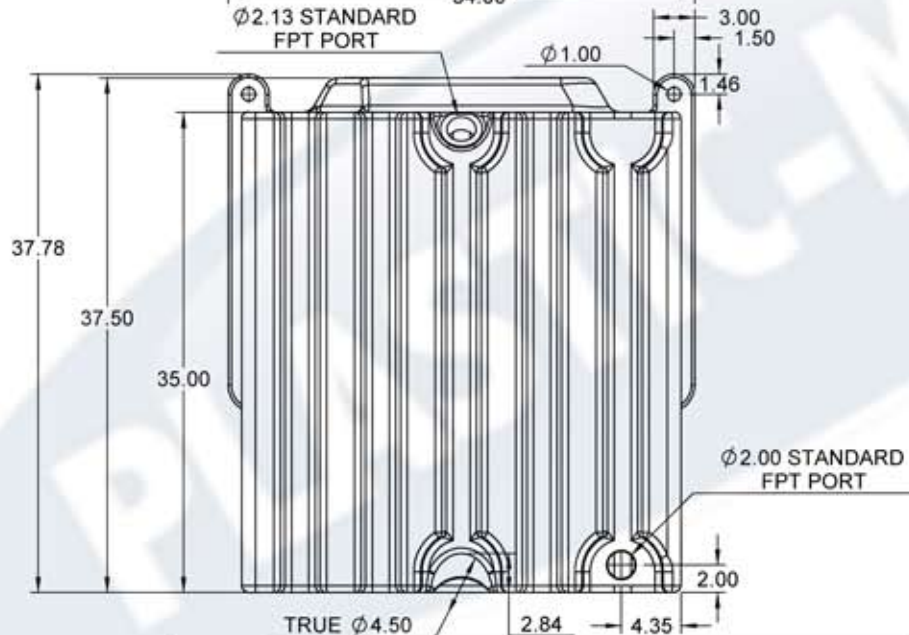
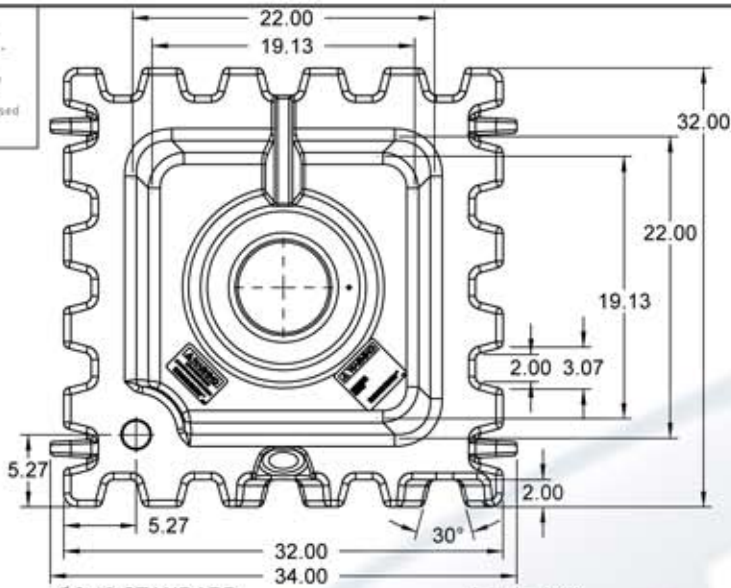


Copyright. All information furnished within this document, electronic file or design correspondence is the property of Den Hartog Industries, Inc. and shall not be used, disclosed to others or copied without the expressed written consent of Den Hartog Industries, Inc.



| | | | | | |
|---|-------------|-----------|-----|------------------------------|--------------------------|
| | | | | DRAWN / DATE ADH 5/22/08 | MATERIAL 10539 |
| | | | | APPROD. / DATE REH 7/7/08 | |
| REV | DESCRIPTION | BY / DATE | CCN | | |
| ALL DIMENSIONS ARE IN DECIMAL INCHES TOLERANCES UNLESS OTHERWISE SPECIFIED | | | | SHOT WEIGHT: 75 LBS | NOTES: |
| POLYETHYLENE | | | | SHIPPING WEIGHT: 77 LBS | 1.) WALL THICKNESS 0.200 |
| METAL DECIMAL ± .125" FRACTION ± 1/4" ANGLE ± 1° | | | | FINISH: | |
| ±1% @ 68°F | | | | | |



866-310-2556

| | | | |
|-------------|------|-----------------|-----------|
| DESCRIPTION | | 120 GALLON TOTE | |
| SCALE | N.S. | PART NO. | ST0120-32 |