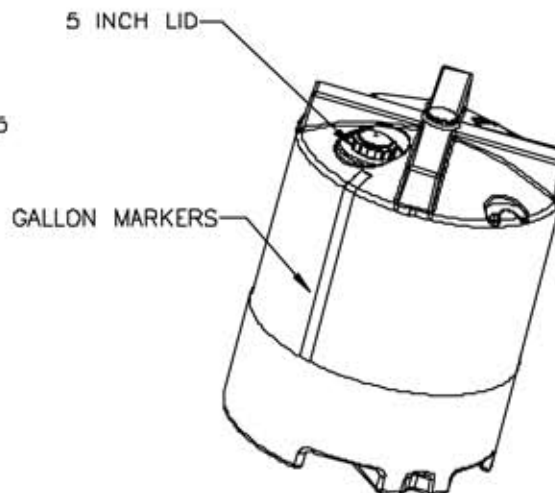
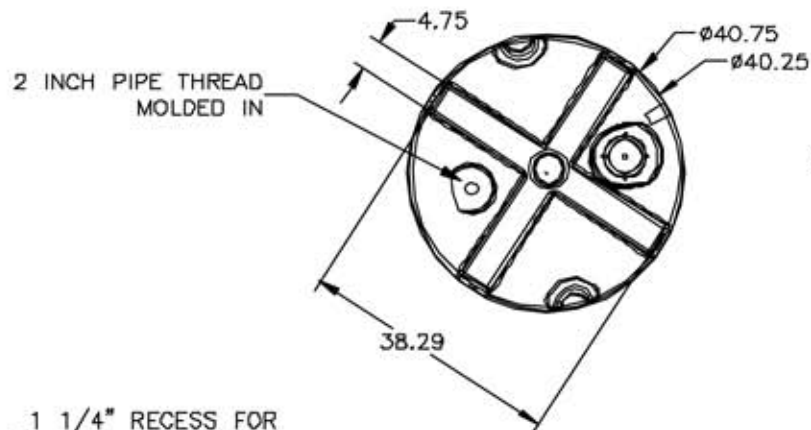


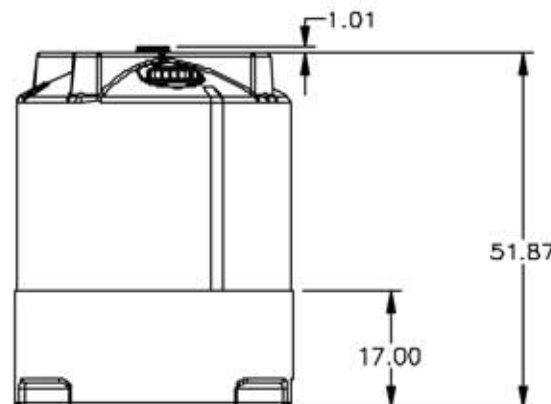
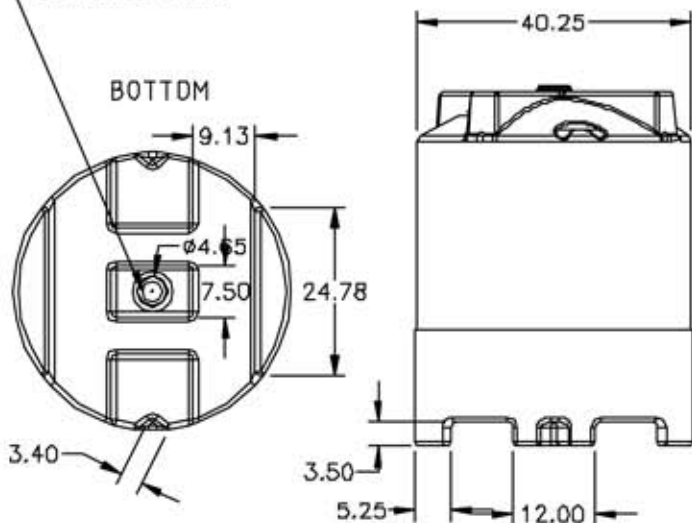
PROPRIETARY DATA

VT0210-PP

PROPERTY OF ACE ROTO-MOLD MFG., INC. INFORMATION FURNISHED HEREIN IS THE PROPERTY OF ACE ROTO-MOLD MFG., INC. AND SHALL NOT BE USED, DISCLOSED TO OTHERS, OR COPIED WITHOUT THE EXPRESSED WRITTEN CONSENT OF ACE ROTO-MOLD MFG., INC. ALL RIGHTS RESERVED.



1 1/4" RECESS FOR STACKING TANKS



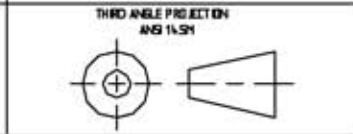
REV	DESCRIPTION	DATE	APPROD

DRAWN / DATE	NVE 6/28/15
APPROD. / DATE	DHJ 9/2/05

MATERIAL	HOPE OR EQUIVALENT REFERENCE MATERIAL DATA SHEET FOR SPECIFIC PROPERTIES.
----------	---


**Ace Roto-Mold**  
 A DIVISION OF DEN HARTOG INDUSTRIERING  
 4018 HWY. 60 BLVD., BOX 421, HDSPEERS, IOWA 52338

ALL DIMENSIONS ARE IN DECIMAL INCHES  
TOLERANCES UNLESS OTHERWISE SPECIFIED  
± 1% @ 68° F



NOTES:

1. WEIGHT 82 LBS.

CLIENT / DESCRIPTION		210 GALLON PALLET & TANK	
SCALE	N.S.	PART NO.	VT0210-PP