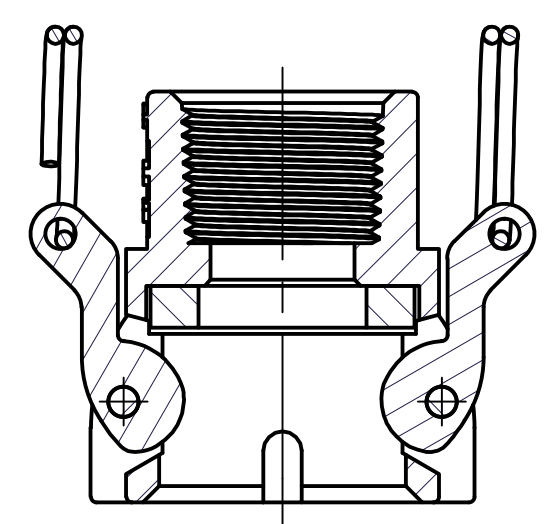
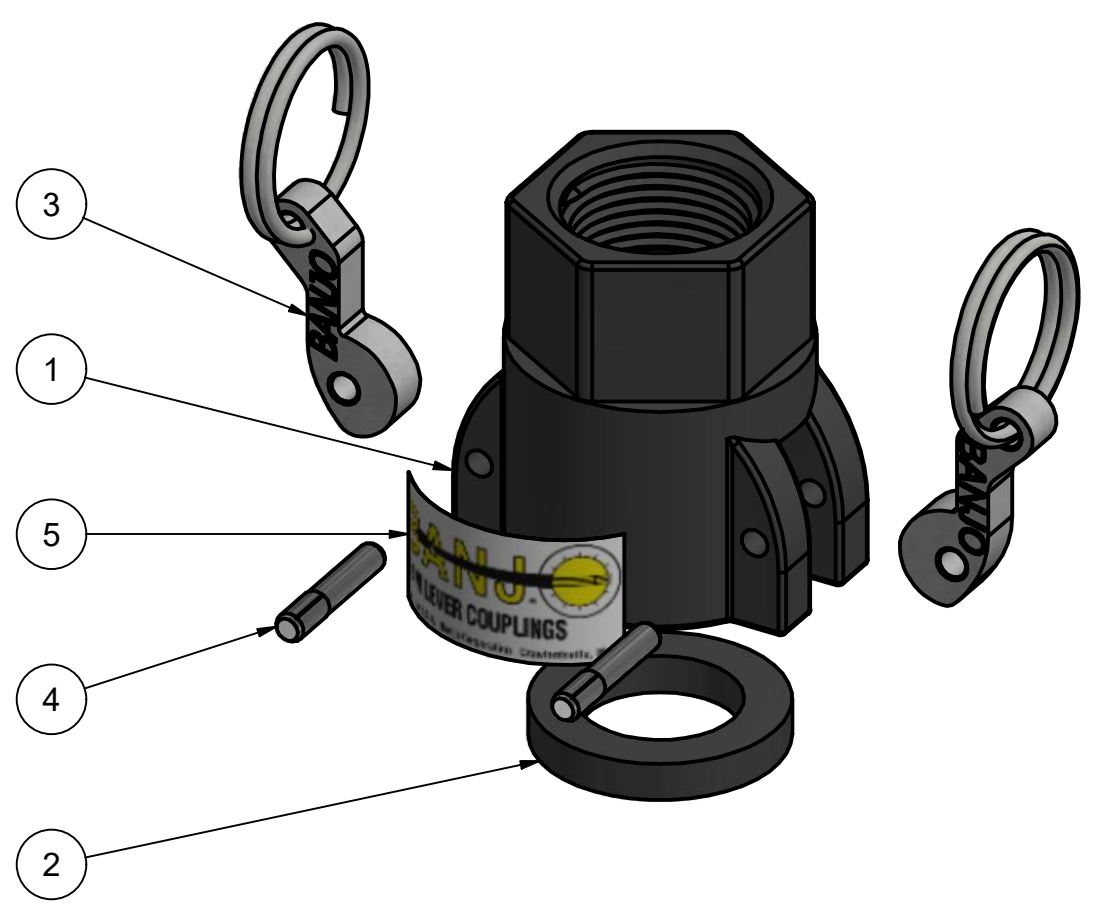
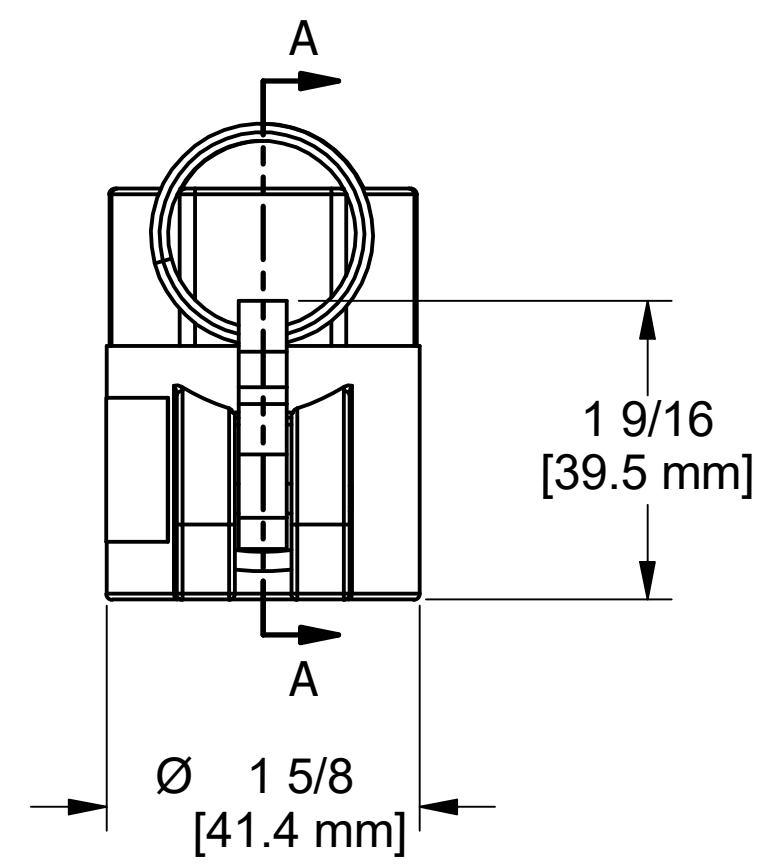
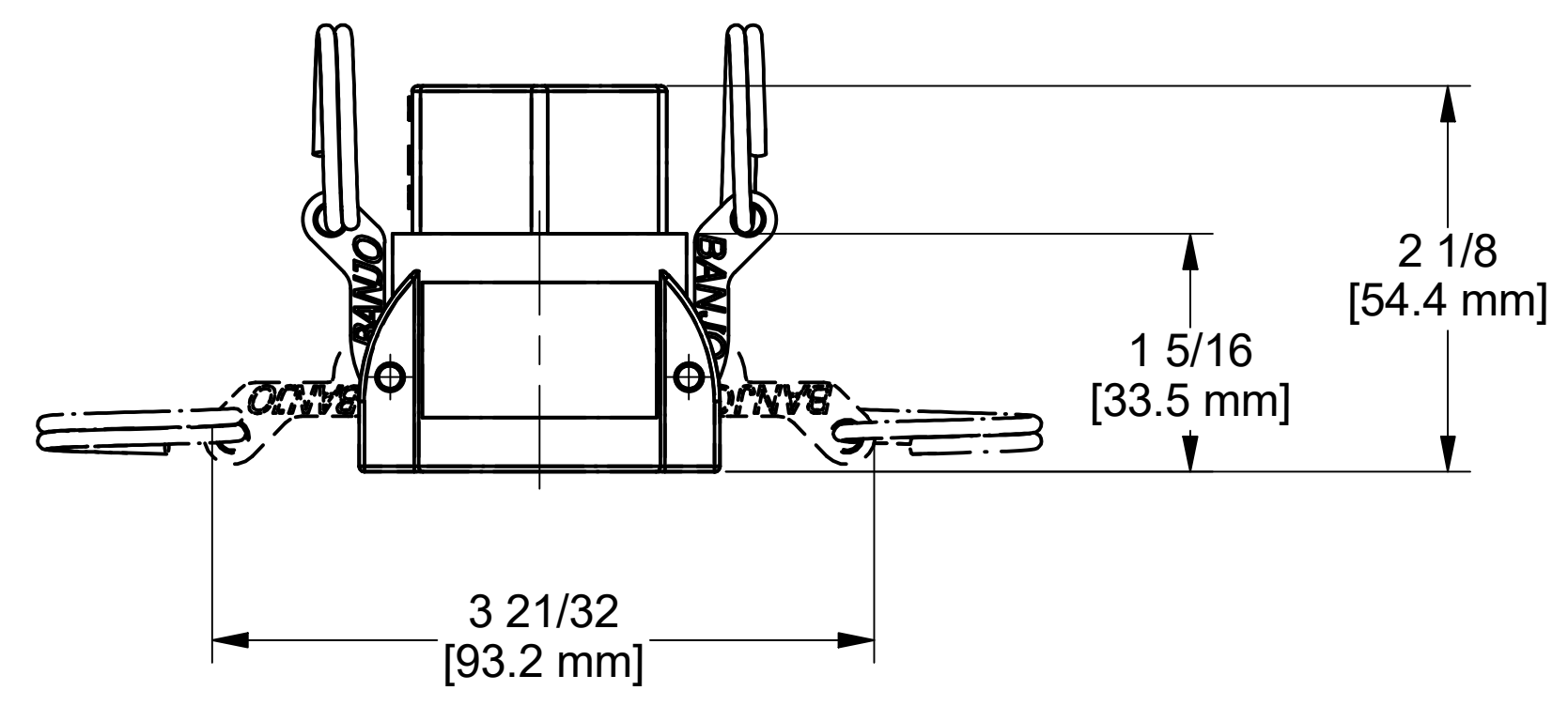


PARTS LIST			
ITEM	QTY	PART NUMBER	DESCRIPTION
1	1	075DXM	3/4" COUPLER X 3/4" NPT
2	1	75G	COUPLING GASKET
3	2	75K	1" CAM ARM W/ RING
4	2	75P	CAM ARM PIN
5	1	100DECAL	Mini Coupling Decal



SECTION A-A  
SCALE 1 : 1



THIS DRAWING AND ALL INFORMATION CONTAINED THEREON ARE THE EXCLUSIVE PROPERTY OF BANJO CORPORATION.

UNLESS SPECIFICALLY NOTED, THIS DRAWING AND ITEMS SHOWN ON THIS DRAWING ARE SUBJECT TO CHANGE AT ANY TIME.

BANJO CORPORATION  
150 BANJO DRIVE, CRAWFORDSVILLE, IN 47933  
WEB SITE: WWW.BANJOCORP.COM  
E-MAIL: BANJOSALES@IDEXCORP.COM

DESCRIPTION  
3/4" Coupler x 3/4" Female Thd, Unbagged

PART NUMBER  
075D

NOTE:  
PART TO BE BAGGED.