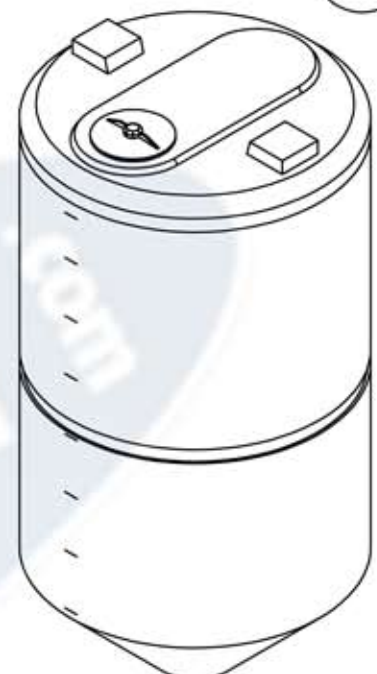
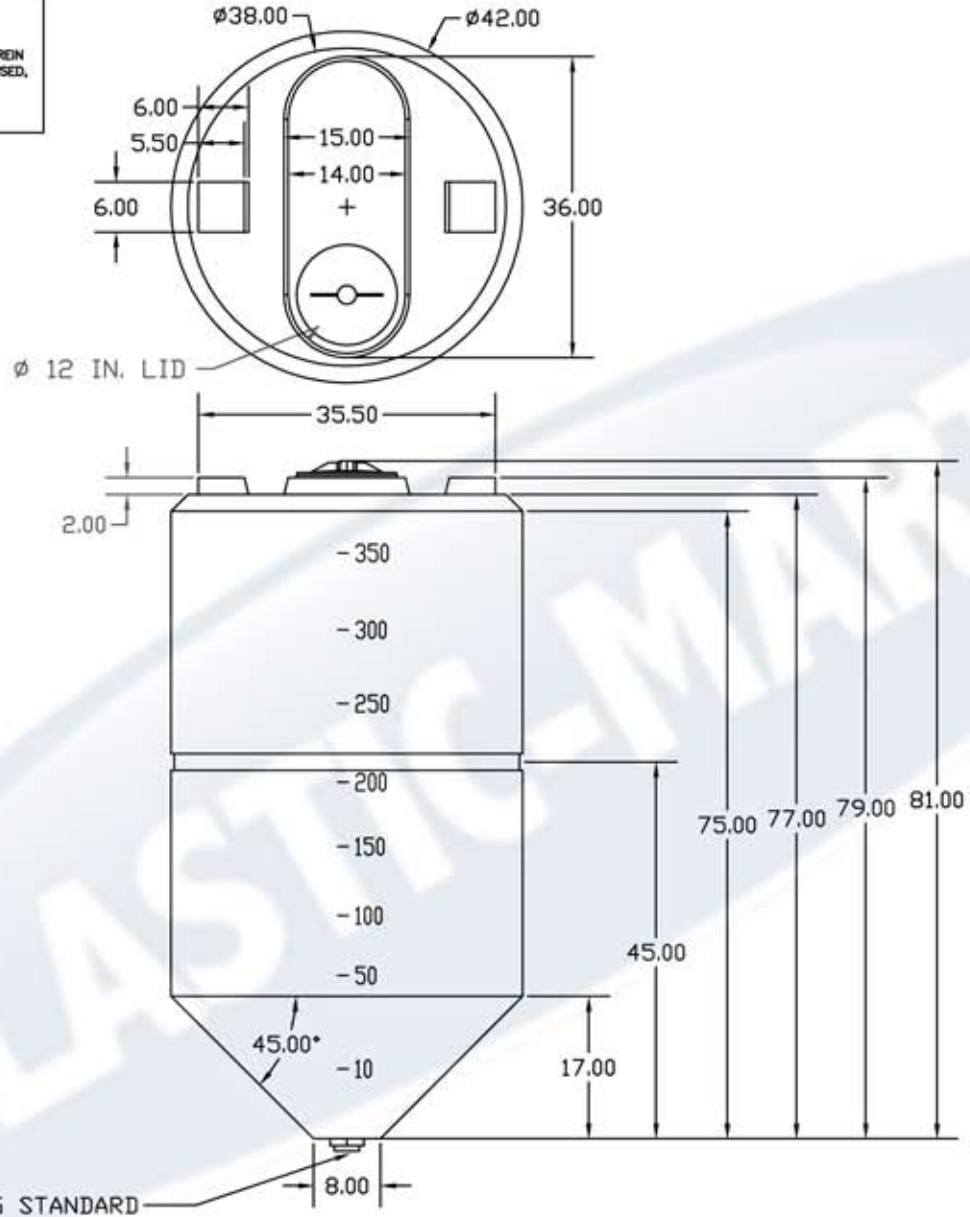


PROPRIETARY DATA

PROPERTY OF ACE ROTO-MOLD MFG., INC. INFORMATION FURNISHED HEREIN IS THE PROPERTY OF ACE ROTO-MOLD MFG., INC. AND SHALL NOT BE USED, DISCLOSED TO OTHERS, OR COPIED WITHOUT THE EXPRESSED WRITTEN CONSENT OF ACE ROTO-MOLD MFG., INC. ALL RIGHTS RESERVED.

CB0350-42

C



2 INCH FITTING STANDARD

C	ISOLATED TANK FROM STAND	5/23/06	NVE	DRAWN / DATE	MATERIAL
B	UPDATE DIMENSIONS	6-30-04		EVAN 6/22/95	HDPE OR EQUIVALENT REFERENCE MATERIAL DATA SHEET FOR SPECIFIC PROPERTIES.
A	CHANGE LID TO 12"	2-4-04		APPRD. / DATE	
REV	DESCRIPTION	DATE	APPRD	XXXX	
				THIRD ANGLE PROJECTION ANSI 14.5M	NOTES:
ALL DIMENSIONS ARE IN DECIMAL INCHES TOLERANCES UNLESS OTHERWISE SPECIFIED ± 1% @ 68° F					1. NOM. WALL .320 2. SHOT WEIGHT 118 LBS.

		866-310-2556
CLIENT / DESCRIPTION		
350 GALLON CONE BOTTOM TANK		
SCALE	N.S.	PART NO. CB0350-42