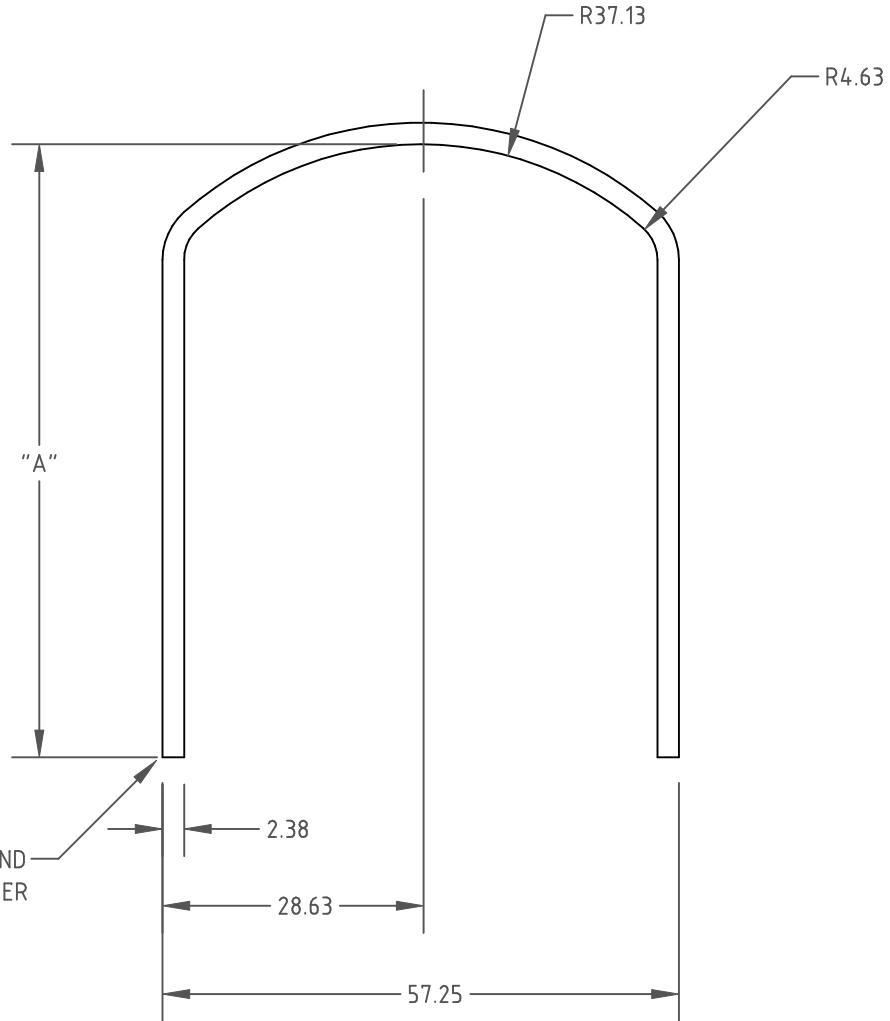


Ⓓ

MODEL	PART NO.	DIM. A	BLANK	WEIGHT
CC1000-58	CC1000-HP	48"	135"	33 LB.
CC1250-58	CC1250-HP	58"	155"	37 LB.
CC1500-58	CC1500-HP	67"	173"	41 LB.



Ⓑ

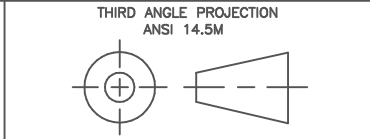
E	DRAWING NUMBER CHANGED	CCN 1535	11/8/07	REH
D	CORRECT BLANK LENGTHS	5/22/07		

C	TOLERANCE WAS .5% @ 68°F	3/8/07 GWC	DRAWN / DATE	MATERIAL
B	MATERIAL WAS 2" PIPE	11/21/06	REH / 10/9/02	
A	FTG. ADDED. PORT REMOVED	7/24/01	APPRD. / DATE	2.375 O.D. X 12 GA. WALL TBG.
REV	DESCRIPTION	DATE APPRD	DHJ / 10/9/02	

**ACE ROTO-MOLD**  
 A DIVISION OF DEN HARTOG INDUSTRIES, INC.  
 4010 HOSPERS DRIVE S. BOX 425, HOSPERS, IOWA 51238-0421

CLIENT / DESCRIPTION

ALL DIMENSIONS ARE IN DECIMAL INCHES  
 TOLERANCES UNLESS OTHERWISE SPECIFIED  
 DECIMAL +/- .250"  
 FRACTION +/- 1/4"  
 ANGLE +/- 3°



NOTES:  
 1. HOOPS UNPAINTED

UNIVERSAL CROP CARE HOOPS	
SCALE	PART NO.
N.S.	SEE SCHEDULE