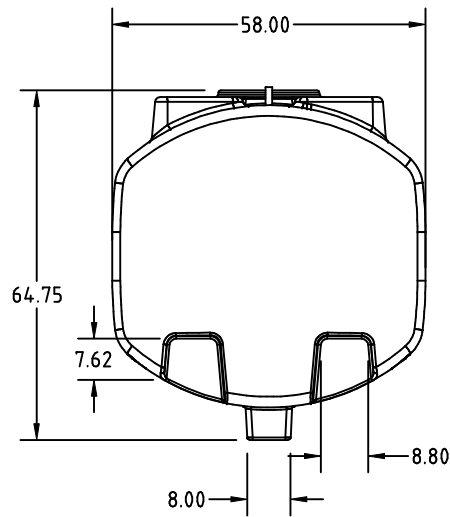
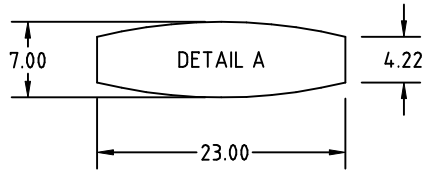
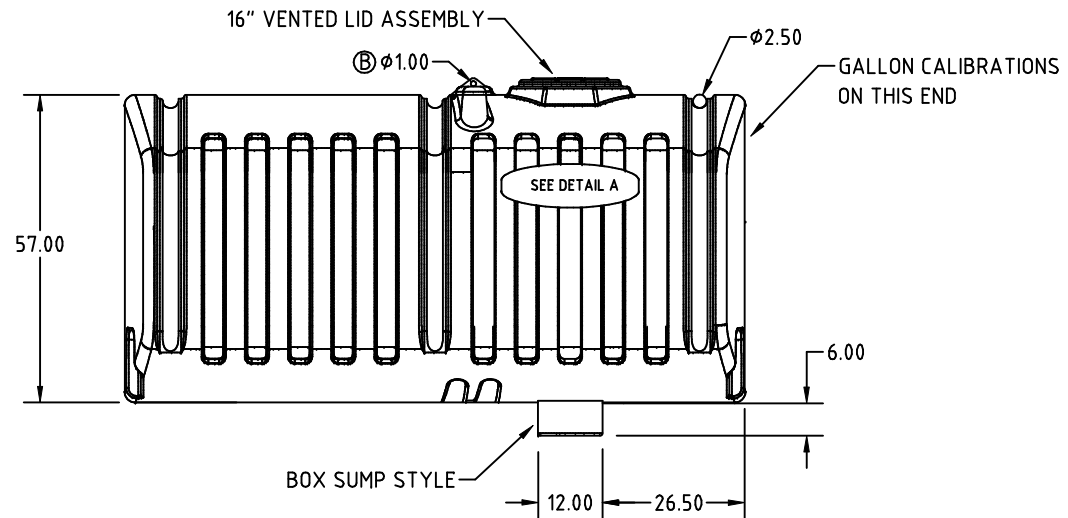
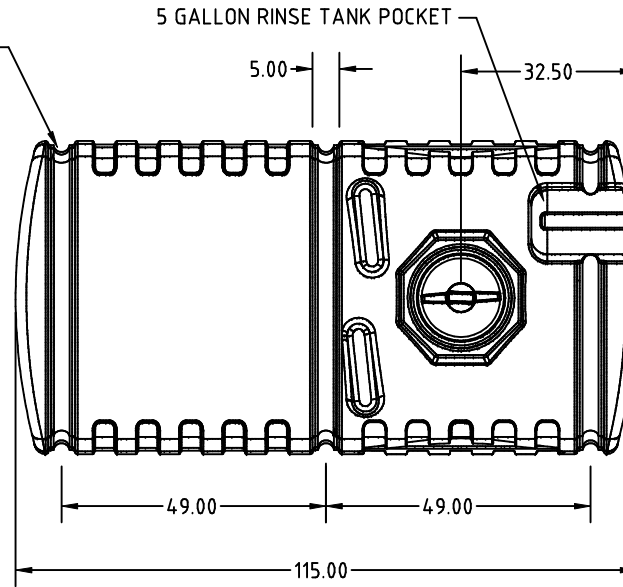



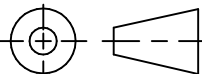
Copyright. All information furnished within this document, electronic file or design correspondence is the property of Den Hartog industries, inc. and shall not be used, disclosed to others or copied without the expressed written consent of Den Hartog Industries, Inc.

MAX. SIZE FOR CROP CARE GRAPHICS
INCLUDES BACKING PAPER



USE HOOPS TO FASTEN
TANK TO MACHINE



				DRAWN / DATE REH/7/12/02	MATERIAL 1.) MDPE	 <p>Den Hartog INDUSTRIES, INC.</p> <p>Ace Roto-Mold Injection Molding Blow Molding Sawjoy 4010 HOSPERS DRIVE S. BOX 425, HOSPERS, IOWA 51238-0421</p>	
B	LIFTING LUG DETAIL ADDED/ DRAWING TEMPLATE UPDATED	ADH 7/2/09	1892	APPRD. / DATE DHJ/7/12/02			
A	RELEASED	10/15/02					
REV	DESCRIPTION	BY / DATE	CCN				
ALL DIMENSIONS ARE IN DECIMAL INCHES TOLERANCES UNLESS OTHERWISE SPECIFIED		THIRD ANGLE PROJECTION ANSI 14.5M		SHOT WEIGHT: 432 LBS.	NOTES: 1. AVAILABLE IN NATURAL OR YELLOW COLOR. 2. NOM. WALL = .400	DESCRIPTION 1250 GALLON CROP CARE TANK - BOX SUMP	
POLYETHYLENE	METAL DECIMAL ± .125" FRACTION ± 1/4" ANGLE ± 1°			SHIPPING WEIGHT: 485 LBS		DESCRIPTION	SCALE N.S.
±1% @ 68° F				FINISH:		PART NO. CM1250-58B	