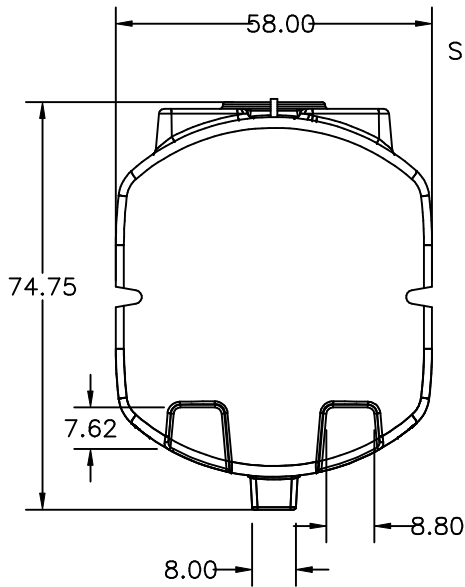
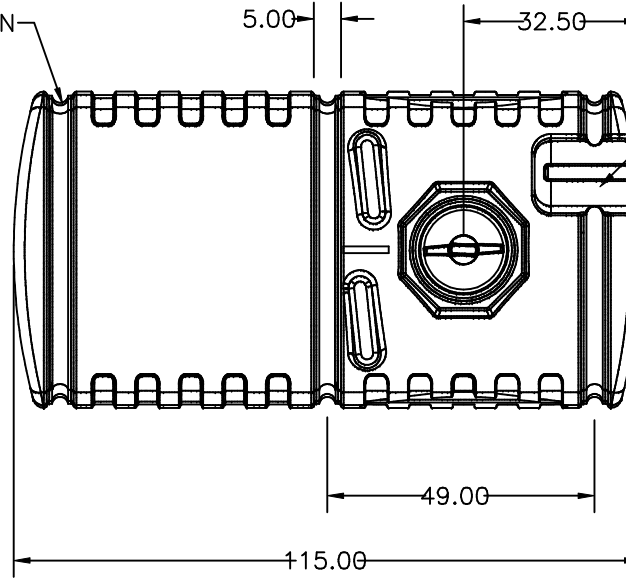
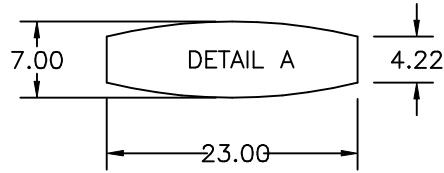


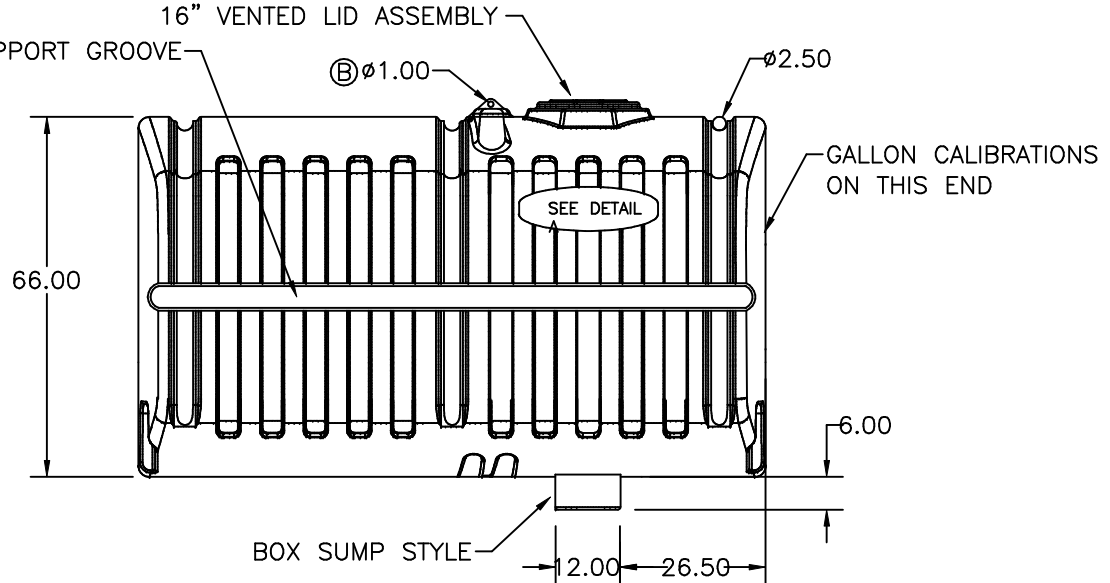
Copyright. All information furnished within this document, electronic file or design correspondence is the property of Den Hartog Industries, Inc. and shall not be used, disclosed to others or copied without the expressed written consent of Den Hartog Industries, Inc.

USE HOOPS TO FASTEN TANK TO MACHINE


MAX. SIZE FOR CROP CARE GRAPHICS INCLUDES BACKING PAPER



16" VENTED LID ASSEMBLY
SIDEWALL SUPPORT GROOVE



B	LIFTING LUG DETAIL ADDED/ DRAWING TEMPLATE UPDATED	ADH 7/2/09	1892	DRAWN / DATE REH/5/30/02	MATERIAL 1.) MDPE
A	RELEASED	10/15/02		APPRD. / DATE DHJ/5/30/02	
REV	DESCRIPTION	BY / DATE	CCN		
ALL DIMENSIONS ARE IN DECIMAL INCHES TOLERANCES UNLESS OTHERWISE SPECIFIED		THIRD ANGLE PROJECTION ANSI 14.5M		SHOT WEIGHT: 483 LBS	NOTES: 1. AVAILABLE IN NATURAL OR YELLOW COLOR. 2. NOM. WALL = .425
POLYETHYLENE		METAL DECIMAL ± .125" FRACTION ± 1/4" ANGLE ± 1°		SHIPPING WEIGHT: 550 LBS	
±1% @ 68° F				FINISH:	



Den Hartog

INDUSTRIES, INC.

Ace Roto-Mold Injection Molding Blow Molding Sowjoy
4010 HOSPERS DRIVE S. BOX 425, HOSPERS, IOWA 51238-0421

DESCRIPTION 1500 GALLON CROP CARE TANK - BOX SUMP	
SCALE N.S.	PART NO. CM1500-58B