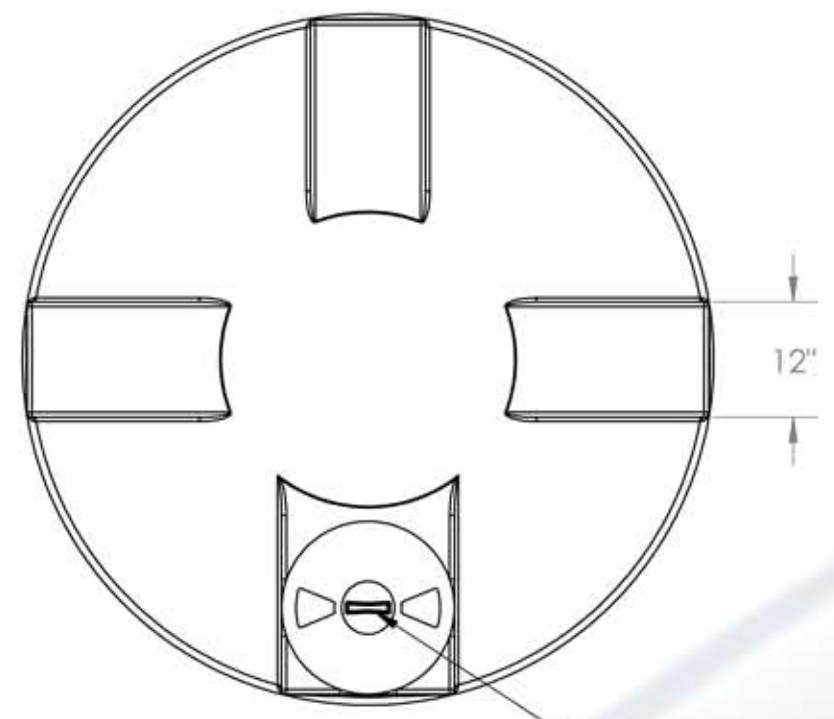
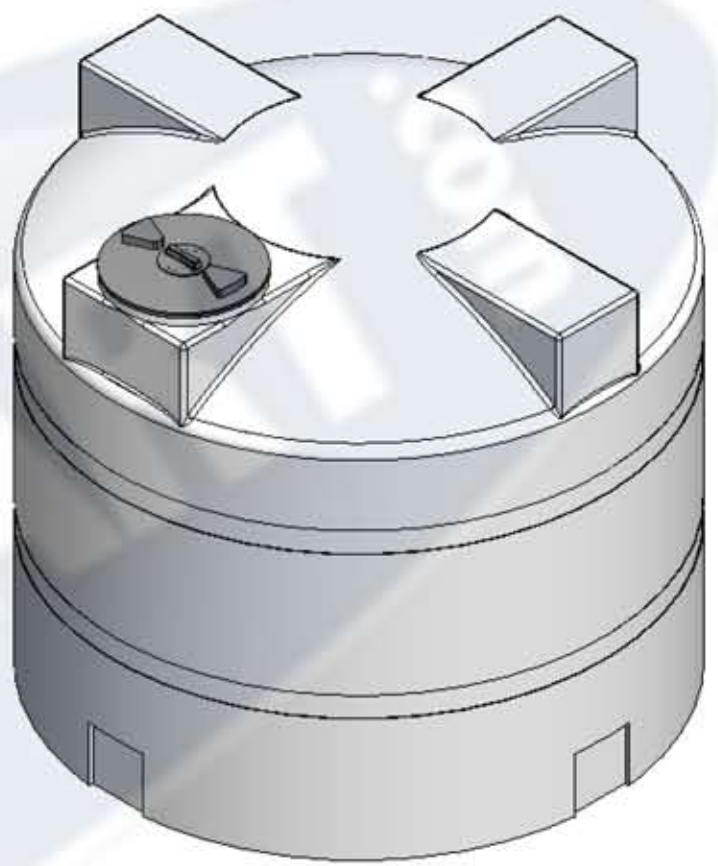


8 7 6 5 4 3 2 1

REVISIONS				
ZON E	REV.	DESCRIPTION	DATE	APPROVED
B-2	A	WEIGHT CHANGE	3-3-2010	EBW

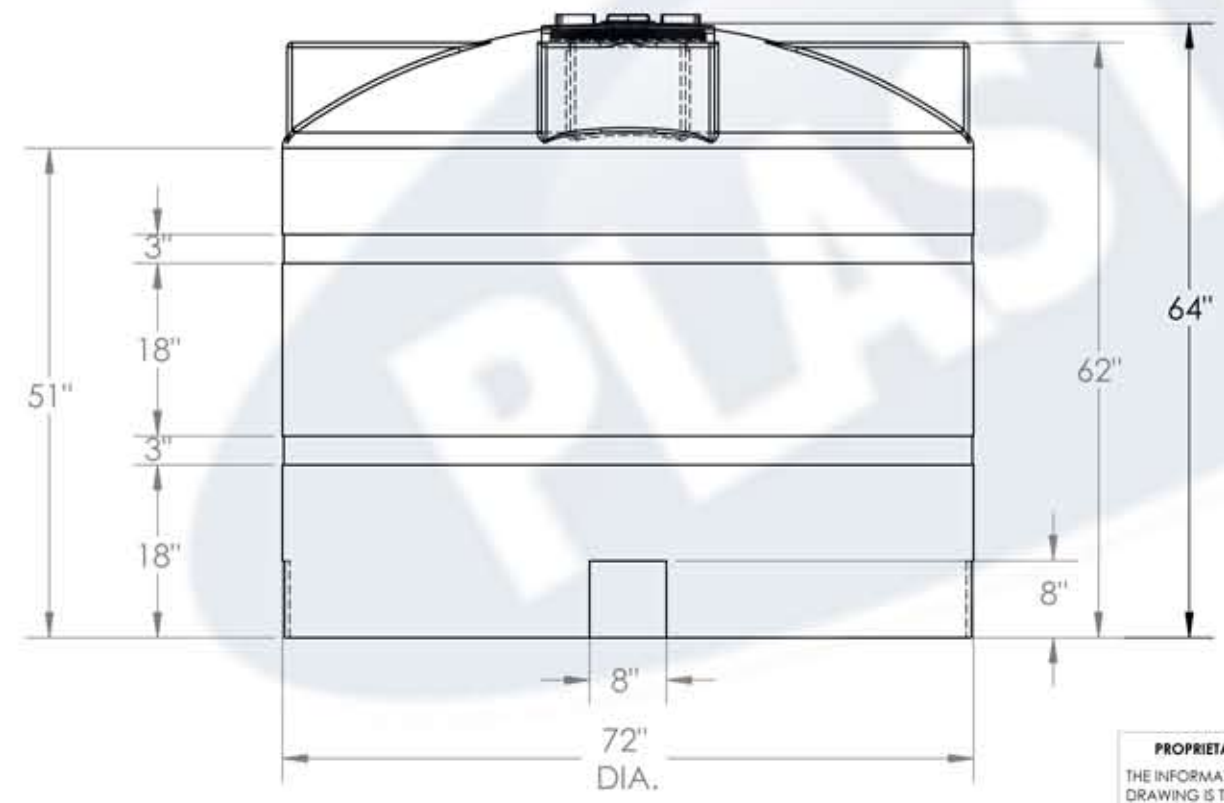


16" THREADED LID  
W/4" BREATHER



NOTES:

1. MATERIAL: POLYETHYLENE
2. WEIGHT: 160 LBS. STD. RATED 1.5 S.G.  
212 LBS. HD. RATED 2.0 S.G.



**PROPRIETARY AND CONFIDENTIAL**  
THE INFORMATION CONTAINED IN THIS DRAWING IS THE SOLE PROPERTY OF <INSERT COMPANY NAME HERE>. ANY REPRODUCTION IN PART OR AS A WHOLE WITHOUT THE WRITTEN PERMISSION OF <INSERT COMPANY NAME HERE> IS PROHIBITED.

UNLESS OTHERWISE SPECIFIED:		NAME	DATE	866-310-2556 <b>TITLE:</b> 1000 GALLON VERTICAL TANK
DIMENSIONS ARE IN INCHES TOLERANCES: FRACTIONAL ± ANGULAR: MACH ± BEND ± TWO PLACE DECIMAL ± THREE PLACE DECIMAL ±		DRAWN	5-29-09	
INTERPRET GEOMETRIC TOLERANCING PER:		CHECKED		SIZE DWG. NO. REV <b>B</b> <b>A</b>
MATERIAL		ENG APPR.		
FINISH		MFG APPR.		SCALE: 1:50 WEIGHT: SHEET 1 OF 1
NEXT ASSY	USED ON	Q.A.		
APPLICATION		COMMENTS:		
DO NOT SCALE DRAWING				

8 7 6 5 4 3 2 1