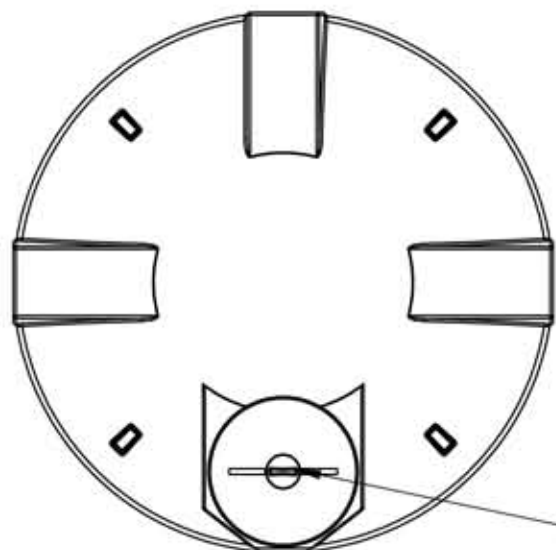
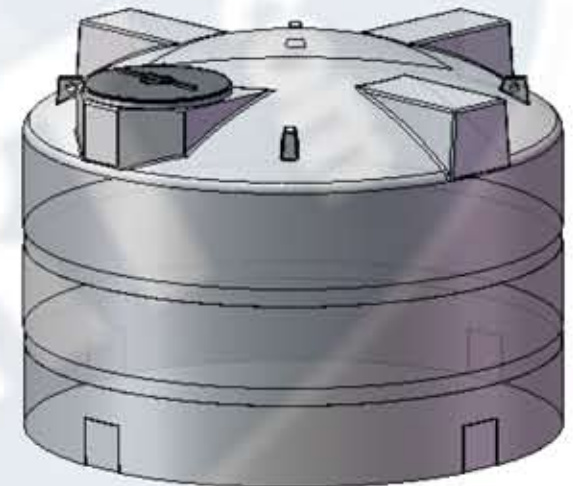


8 7 6 5 4 3 2 1

REVISIONS				
ZONE	REV.	DESCRIPTION	DATE	APPROVED
B-2	A	WEIGHT CHANGE	3-3-2010	EBW

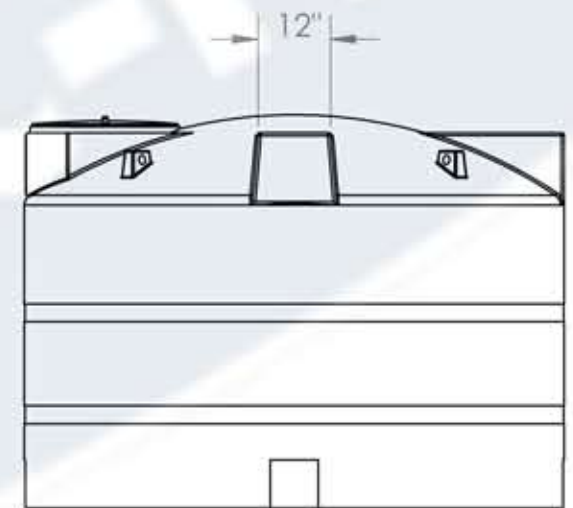
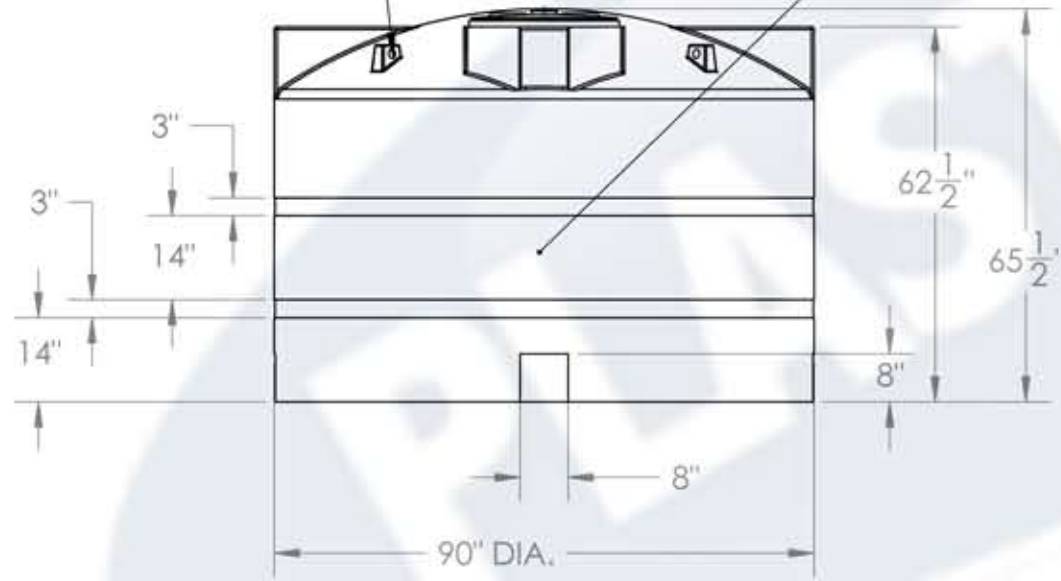


24" THREADED LID  
W/4" BREATHER



1 1/2" LIFTING  
EYE (4) PLCS.

APPROX  
GALLON MARKINGS



NOTES:

- MATERIAL: POLYETHYLENE
- WEIGHT: 240 LBS STD. RATED 1.5 SG.  
340 LBS HD. RATED 1.9 SG.

**PROPRIETARY AND CONFIDENTIAL**  
THE INFORMATION CONTAINED IN THIS DRAWING IS THE SOLE PROPERTY OF <INSERT COMPANY NAME HERE>. ANY REPRODUCTION IN PART OR AS A WHOLE WITHOUT THE WRITTEN PERMISSION OF <INSERT COMPANY NAME HERE> IS PROHIBITED.

UNLESS OTHERWISE SPECIFIED:		NAME	DATE	866-310-2556
DIMENSIONS ARE IN INCHES		EBW	11-11-08	
TOLERANCES:		DRAWN		TITLE:
FRACTIONAL ±		CHECKED		
ANGULAR: MACH ± BEND ±		ENG APPR.		SIZE DWG. NO. REV
TWO PLACE DECIMAL ±		MFG APPR.		<b>B</b> 1600 VT. <b>A</b>
THREE PLACE DECIMAL ±		Q.A.		SCALE: 1:32 WEIGHT: SHEET 1 OF 1
INTERPRET GEOMETRIC TOLERANCING PER:		COMMENTS:		
MATERIAL				
FINISH				
NEXT ASSY	USED ON			
APPLICATION		DO NOT SCALE DRAWING		

8 7 6 5 4 3 2 1