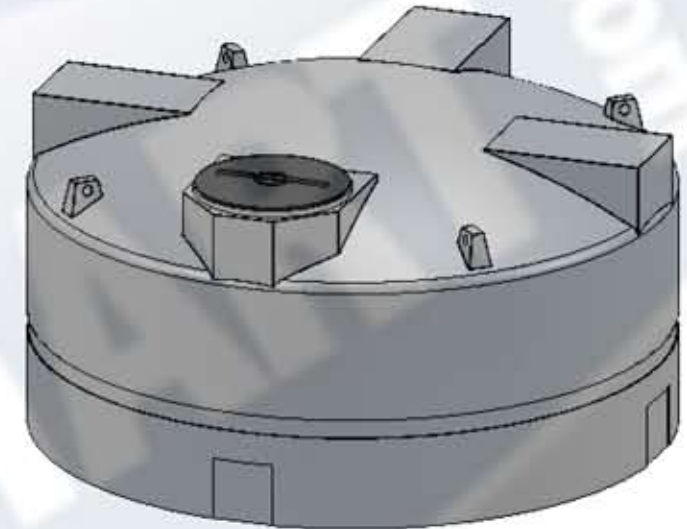
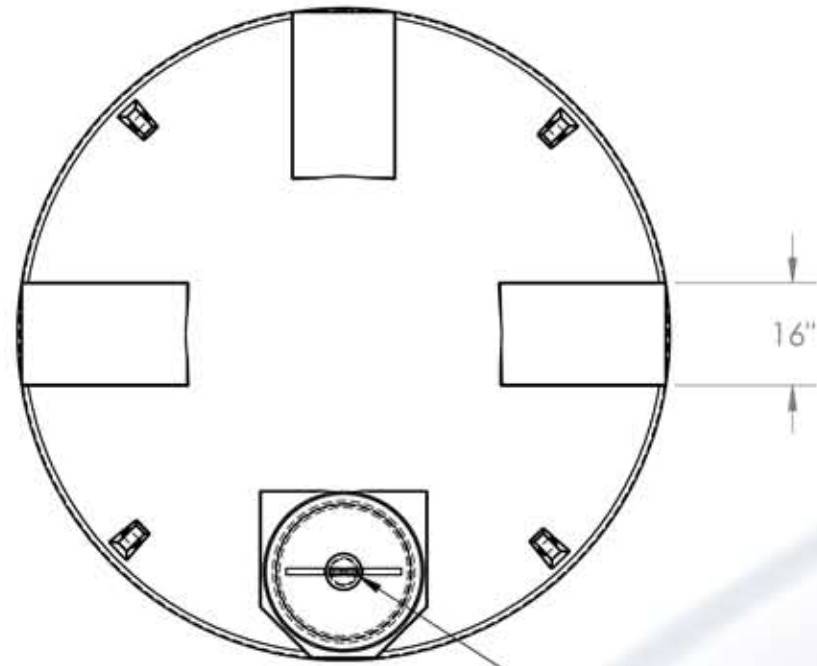


REVISIONS				
ZON E	REV.	DESCRIPTION	DATE	APPROVED
B-2	A	WEIGHT CHANGE	3-3-2010	EBW

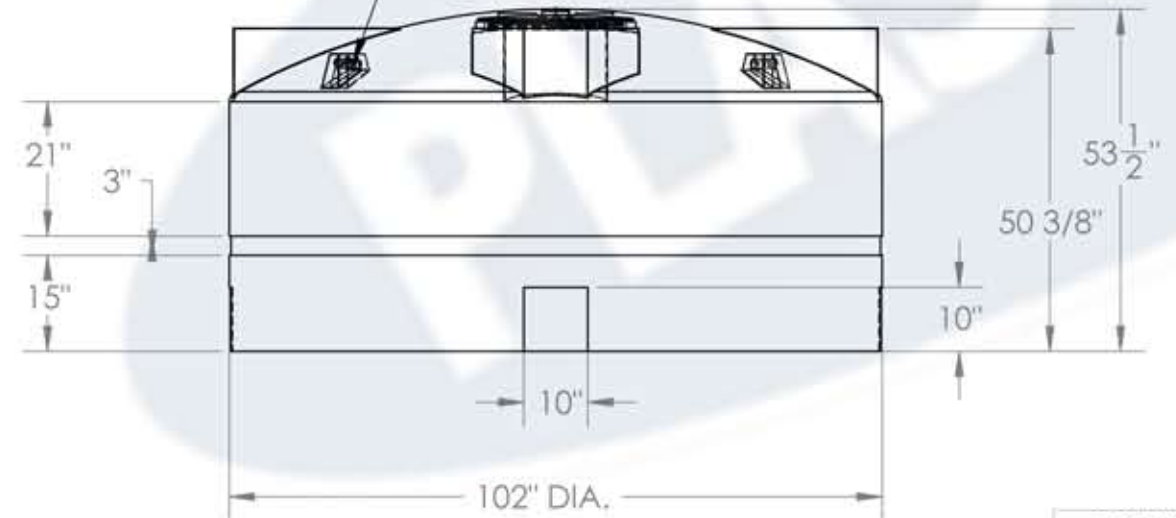


1 1/2" LIFTING EYE (4) PLCS

24" THREADED LID W/4" BREATHER

NOTES:

1. MATERIAL: POLYETHYLENE
2. WEIGHT: STD. RATED 1.5 S.G. 265 LBS
HD. RATED 2.0 S.G. 350 LBS



PROPRIETARY AND CONFIDENTIAL
 THE INFORMATION CONTAINED IN THIS DRAWING IS THE SOLE PROPERTY OF <INSERT COMPANY NAME HERE>. ANY REPRODUCTION IN PART OR AS A WHOLE WITHOUT THE WRITTEN PERMISSION OF <INSERT COMPANY NAME HERE> IS PROHIBITED.

UNLESS OTHERWISE SPECIFIED:		NAME	DATE	866-310-2556
DIMENSIONS ARE IN INCHES		EBW	6/4/09	
TOLERANCES:		DRAWN		TITLE: 1600 GALLON VERTICAL TANK
FRACTIONAL ±		CHECKED		
ANGULAR: MACH ± BEND ±		ENG APPR.		
TWO PLACE DECIMAL ±		MFG APPR.		
THREE PLACE DECIMAL ±		Q.A.		SIZE DWG. NO. REV B 1600 VTS
INTERPRET GEOMETRIC TOLERANCING PER:		COMMENTS:		
MATERIAL				SCALE: 1:50 WEIGHT:
FINISH				SHEET 1 OF 1
NEXT ASSY	USED ON			
APPLICATION		DO NOT SCALE DRAWING		