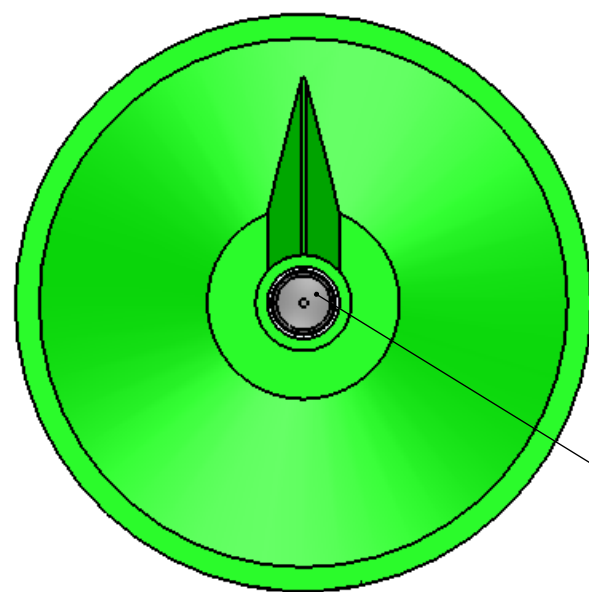


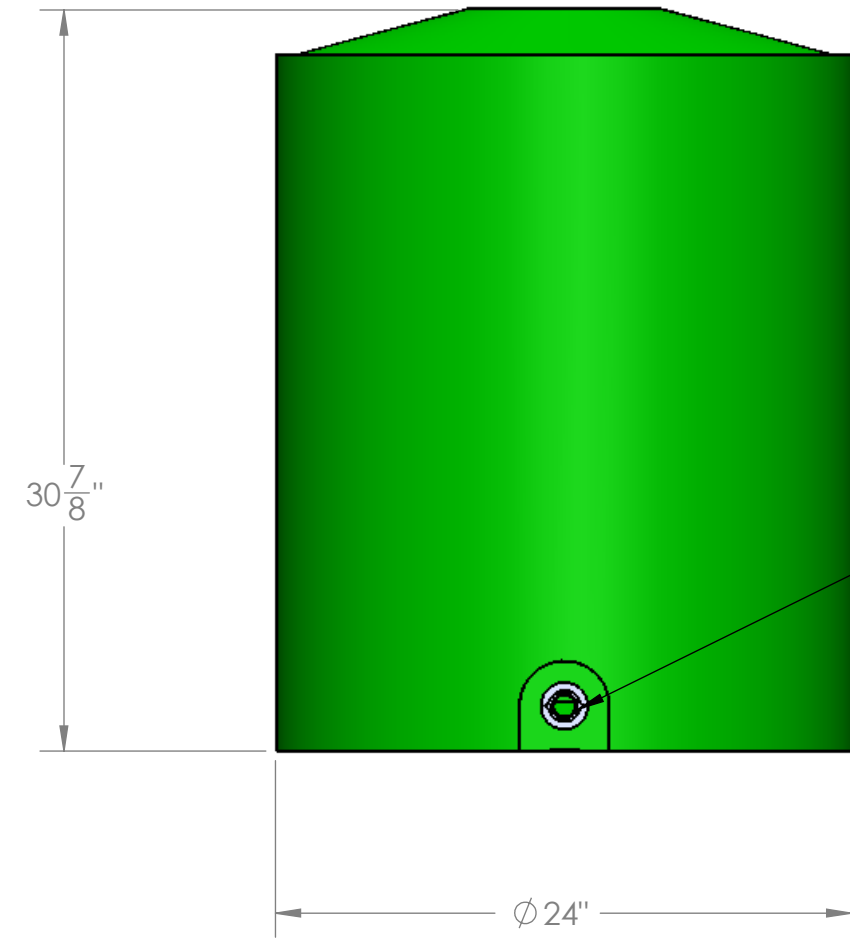
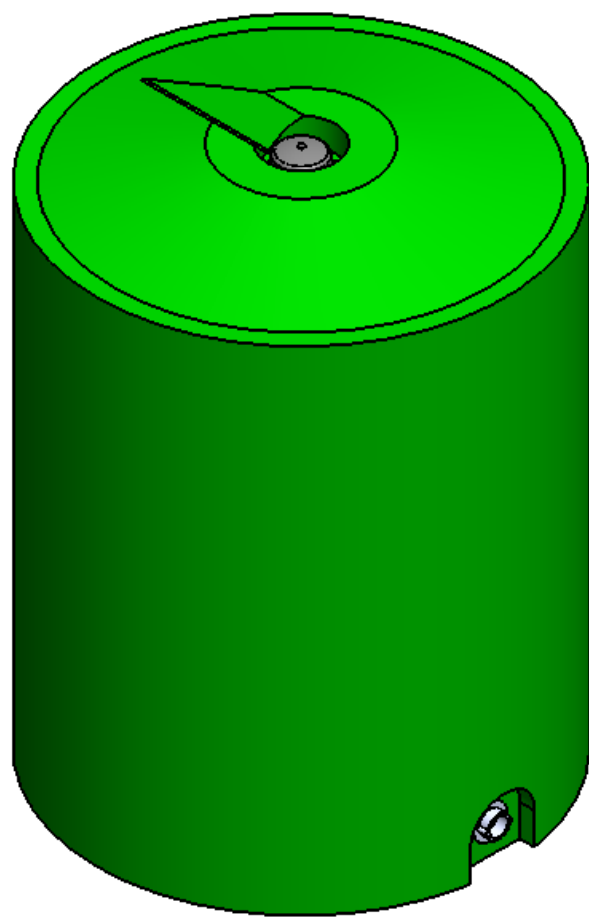
8 7 6 5 4 3 2 1

D
C
B
A

D
C
B
A



2" THREADED LID



3/4" NPT RAISED FITTING

NOTES:

- 1. MATERIAL: HDPE
- 2. COLOR: DARK GREEN
- 3. WEIGHT: 16 LBS.

PROPRIETARY AND CONFIDENTIAL
 THE INFORMATION CONTAINED IN THIS DRAWING IS THE SOLE PROPERTY OF <INSERT COMPANY NAME HERE>. ANY REPRODUCTION IN PART OR AS A WHOLE WITHOUT THE WRITTEN PERMISSION OF <INSERT COMPANY NAME HERE> IS PROHIBITED.

		UNLESS OTHERWISE SPECIFIED:		NAME	DATE	866-310-2556
		DIMENSIONS ARE IN INCHES TOLERANCES: FRACTIONAL ± ANGULAR: MACH ± BEND ± TWO PLACE DECIMAL ± THREE PLACE DECIMAL ±		DRAWN	12-02-11	
		INTERPRET GEOMETRIC TOLERANCING PER:		CHECKED		TITLE: 50 GALLON VERTICAL TANK, FRESH WATER GREEN
		MATERIAL		ENG APPR.		
		FINISH		MFG APPR.		
NEXT ASSY	USED ON	DO NOT SCALE DRAWING		Q.A.		SIZE DWG. NO. REV B 50 VT FWG
APPLICATION				COMMENTS:		SCALE: 1:12 WEIGHT: SHEET 1 OF 1

8 7 6 5 4 3 2 1