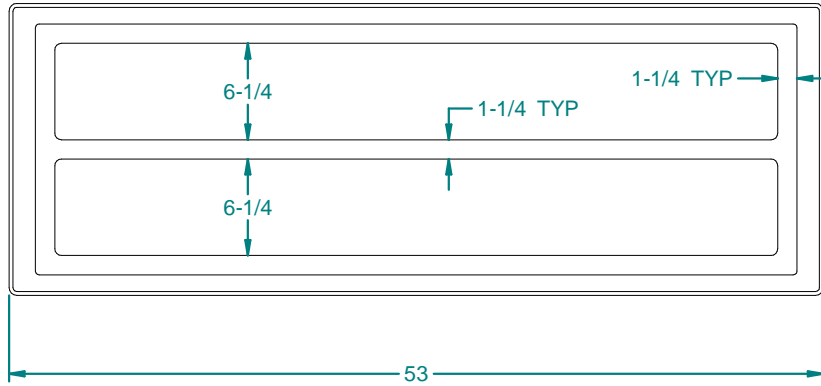


MAIN PRODUCT INFORMATION

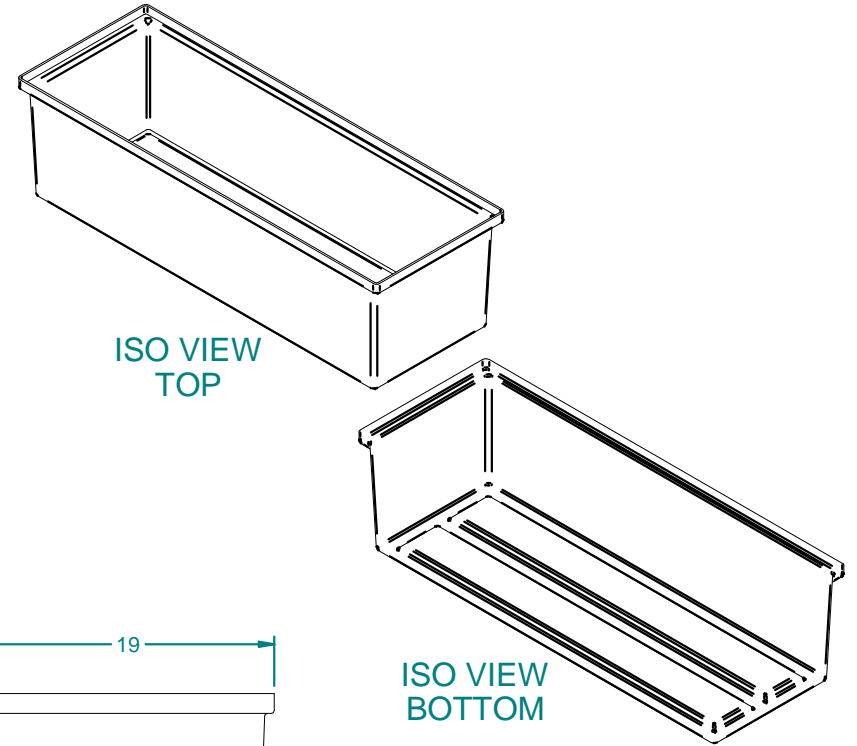
REVISION HISTORY

REV	DESCRIPTION	DATE	APPROVED	Revised By
A	Initial Design Release	6/10/2019		scloud

TOP VIEW

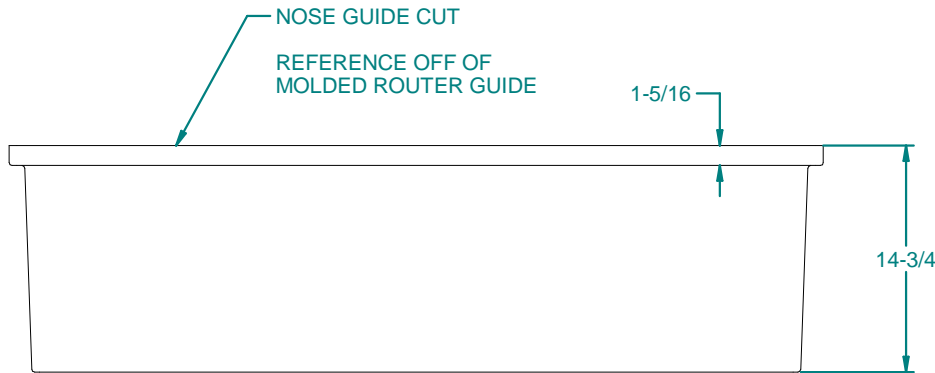


ISO VIEW TOP

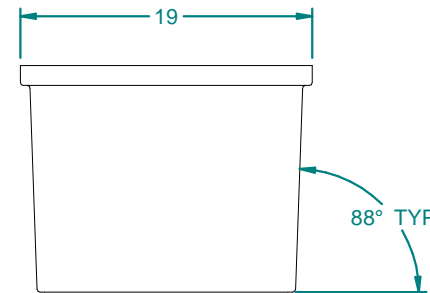



ISO VIEW BOTTOM

FRONT VIEW



SIDE VIEW



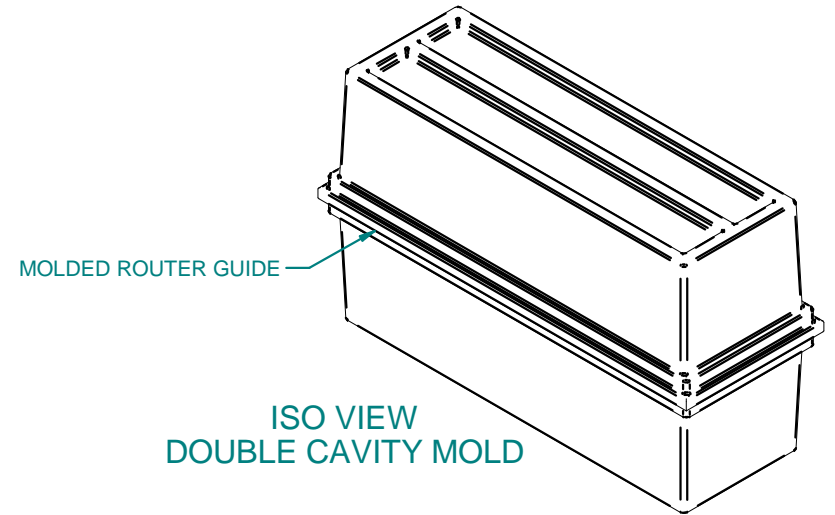
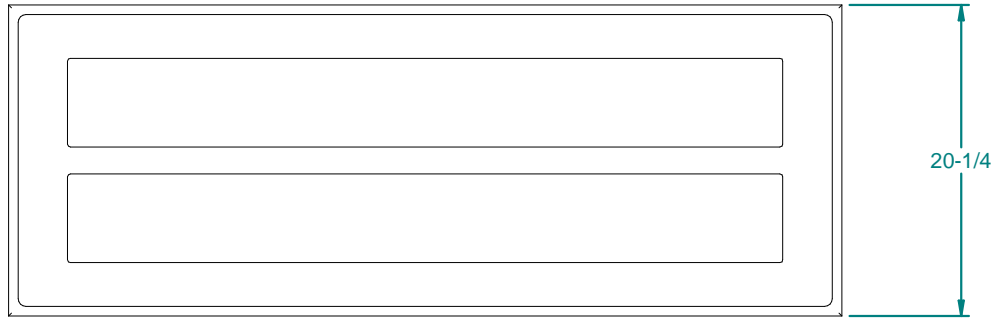
Weight: 26 lbm	NAME	DATE	 <p>16160 Hwy 27 Lake Wales, FL. 33859</p>
Wall Thickness: 0.25"	Drawn By: scloud	6/10/2019	
Customer Part No: N/A	Customer APPR		
Print Date: 6/11/2019	Copyright © 2019 Dura-Cast Products, Inc.		
UNLESS OTHERWISE SPECIFIED DIMENSIONS ARE IN INCHES AND TOLERANCES ARE:			Customer: Pro Tank
- DIMS > 10": ±1%	- PARTING LINE MISMATCH: ±3/32"		Part Title: Chlorine Tank
- DIMS < 10": ±0.100	- PARTING LINE SEAL: 2 psi	- STD WELDED RADII 3/16"	File Name: Chlorine Tank - Concept information.dft
- WALL THICKNESS: ±20%	- INSERT LOCATION: ±1%	- SWF ±3/8" (FREE HAND)	Size: A
- FLATNESS: ±0.03 in/in	- GRAPHIC LOCATION: ±1%	- SWF ±1/8" + 1% (DRILL POINT)	Material: LLDPE 0.939
			Rev: A
			Part No: n/a
			Do Not Scale
			Sheet: 1 OF 2

MOLDED PRODUCT INFORMATION

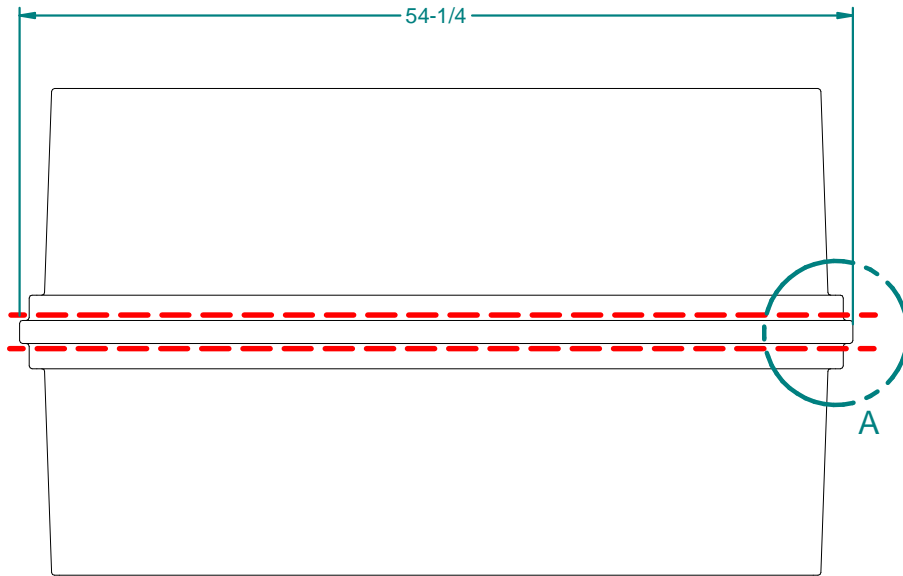
REVISION HISTORY

REV	DESCRIPTION	DATE	APPROVED	Revised By
A	Initial Design Release	6/10/2019		scloud

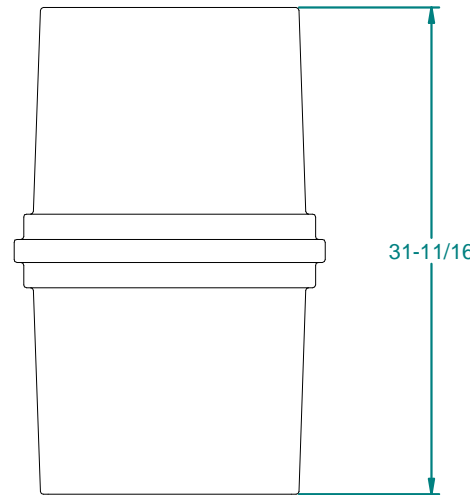
TOP VIEW



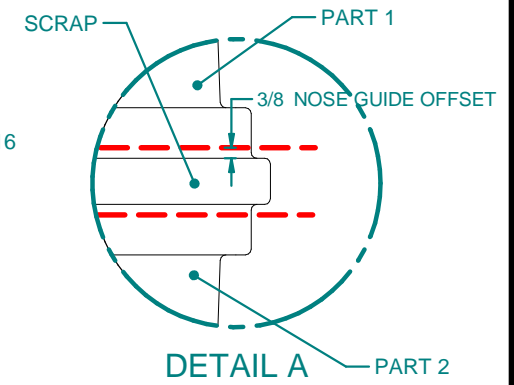
ISO VIEW
DOUBLE CAVITY MOLD




FRONT VIEW



SIDE VIEW



Weight: 56 lbm	NAME	DATE	 16160 Hwy 27 Lake Wales, FL. 33859
Wall Thickness: 0.25"	Drawn By: scloud	6/10/2019	
Customer Part No: N/A	Customer APPR		
Print Date: 6/11/2019	Copyright ©2019 Dura-Cast Products, Inc.		
UNLESS OTHERWISE SPECIFIED DIMENSIONS ARE IN INCHES AND TOLERANCES ARE: - DIMS > 10": ±1% - PARTING LINE MISMATCH: ±3/32" - DIMS < 10": ±0.100 - PARTING LINE SEAL: 2 psi - STD WELDED RADII 3/16" - WALL THICKNESS: ±20% - INSERT LOCATION: ±1% - SWF ±3/8" (FREE HAND) - FLATNESS: ±0.03 in/in - GRAPHIC LOCATION: ±1% - SWF ±1/8" + 1% (DRILL POINT)			Customer: Pro Tank PartTitle: Chlorine Tank File Name: Chlorine Tank - Concept information.dft Size: A Material: LLDPE 0.939 Rev: A Part No: n/a Do Not Scale Sheet: 2 OF 2