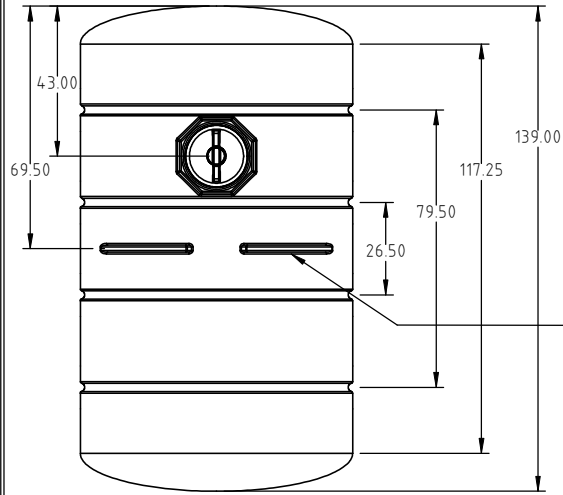


Copyright. All information furnished within this document, electronic file or design correspondence is the property of Den Hartog Industries, Inc. and shall not be used, disclosed to others or copied without the expressed written consent of Den Hartog Industries, Inc.

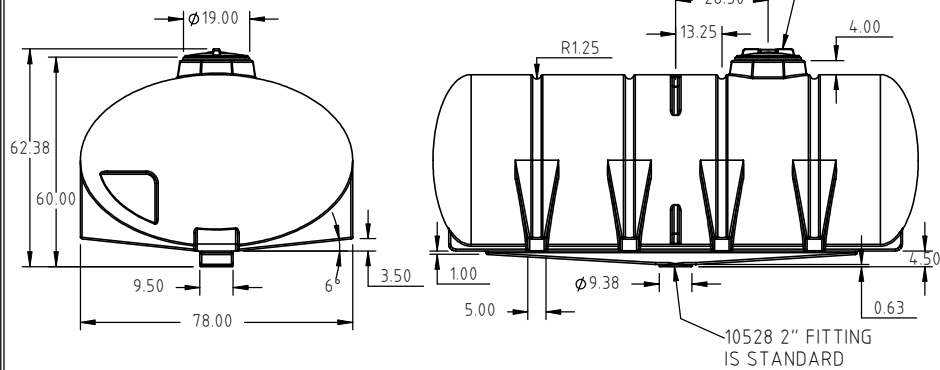


FM1610-78C
CENTER DRAIN SUMP

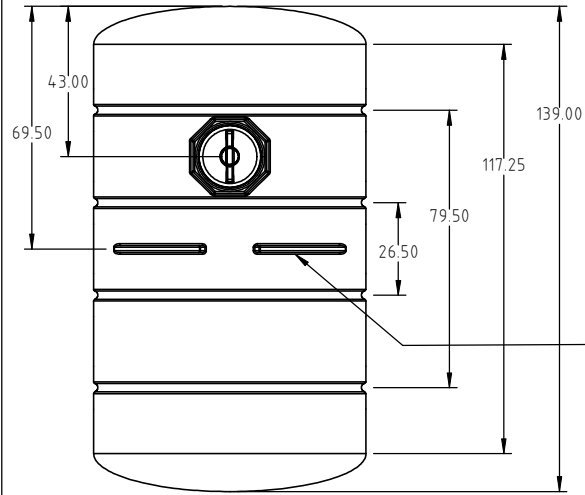
BAFFLE KEYS 4 PLACES

INSTALL BAFFLES AND STRUTS FOR SHIPMENT. SEE FS160-78 BAFFLE ASSEMBLY DIAGRAM.

10528 16" VENTED LID AND 10534 LANYARD



10528 2" FITTING IS STANDARD

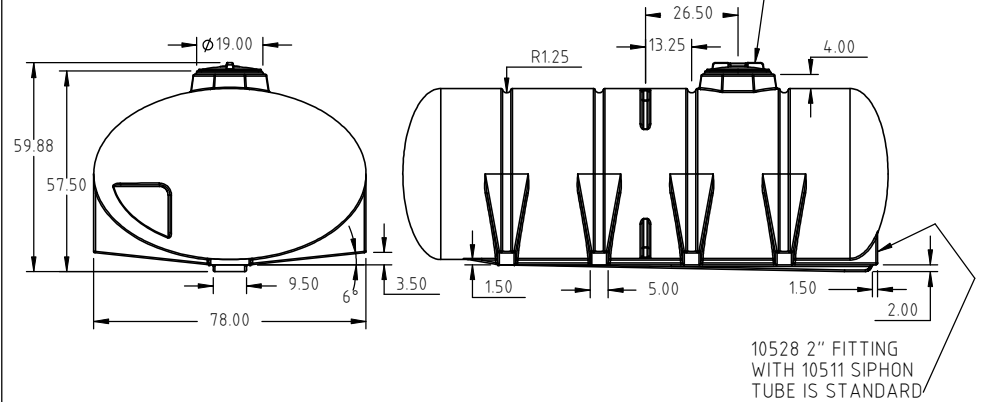


FM1610-78E
END DRAIN SUMP

BAFFLE KEYS 4 PLACES

INSTALL BAFFLES AND STRUTS FOR SHIPMENT. SEE FS160-78 BAFFLE ASSEMBLY DIAGRAM.

10528 16" VENTED LID AND 10534 LANYARD



10528 2" FITTING WITH 10511 SIPHON TUBE IS STANDARD

DRAWN / DATE ADH 7/1/10		MATERIAL USE 3 MELT RESIN REFERENCE MATERIAL DATA SHEET FOR SPECIFIC PROPERTIES	
APPROD. / DATE REH 7/1/10 0.63		NOTES: 1.) NOM. WALL @ .375 2.) WHITE OR YELLOW COLOR	
REV	DESCRIPTION	BY / DATE	CCN
ALL DIMENSIONS ARE IN DECIMAL INCHES TOLERANCES UNLESS OTHERWISE SPECIFIED		THIRD ANGLE PROJECTION ANSI 14.5M	
POLYETHYLENE ±1% @ 68°F		METAL DECIMAL ± .125" FRACTION ± 1/4" ANGLE ± 1°	
SHOT WEIGHT: 490.00 LBS		SHIPPING WEIGHT: 492.00 LBS	
FINISH:			



Den Hartog
INDUSTRIES, INC.

Acra Roto-Mold Injection Molding Blow Molding Blow-Joy

4010 HOSPERS DRIVE S. BOX 425, HOSPERS, IOWA 51238-0425

DESCRIPTION 1610 GALLON LEG TANK	
SCALE N.S.	PART NO. FM1610-78