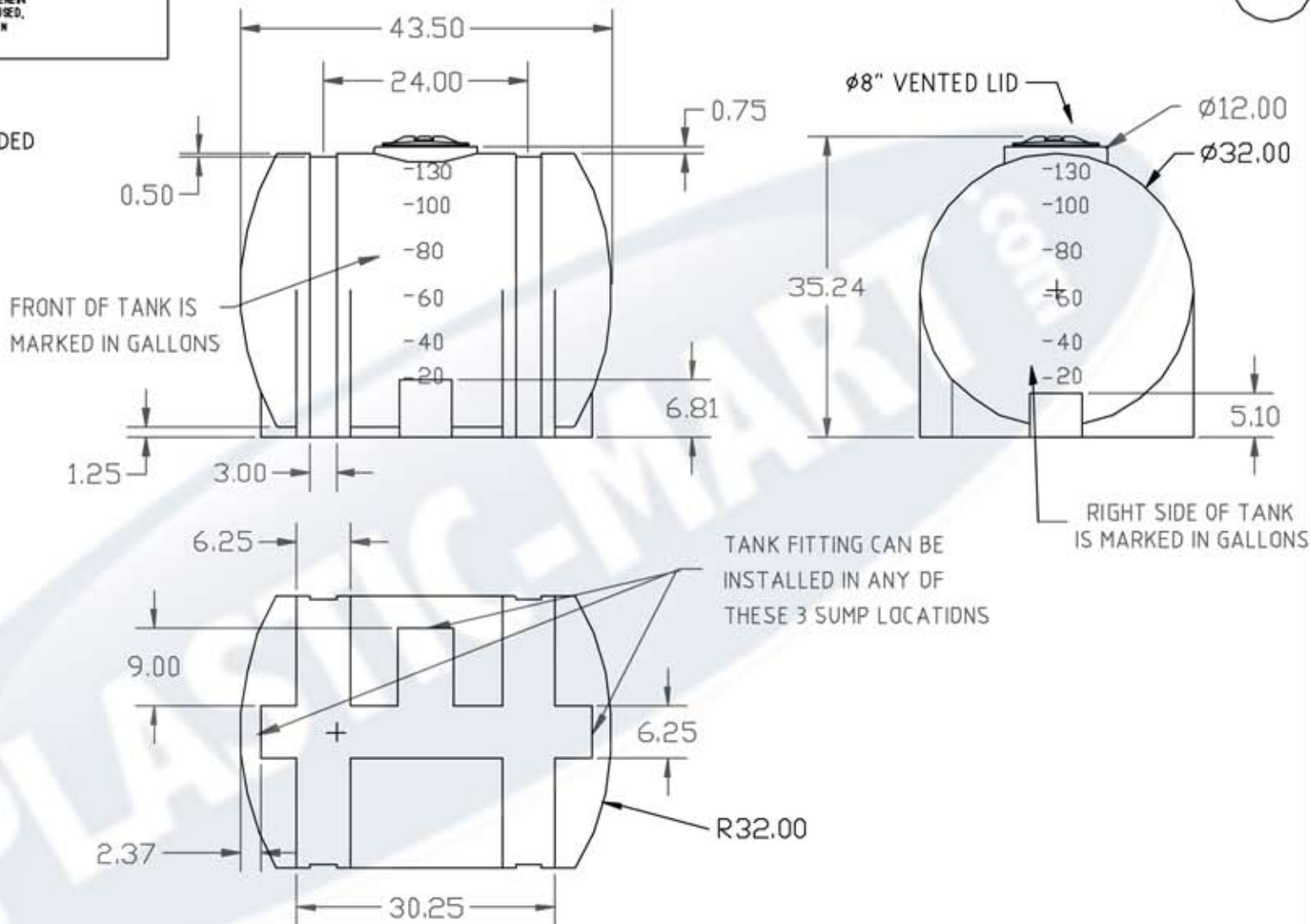



PROPRIETARY DATA

FS0125-32

PROPERTY OF ACE ROTOMOLD MFG., INC. INFORMATION FURNISHED HEREIN IS THE PROPERTY OF ACE ROTOMOLD MFG., INC. AND SHALL NOT BE USED, DISCLOSED TO OTHERS, OR COPIED WITHOUT THE EXPRESSED WRITTEN CONSENT OF ACE ROTOMOLD MFG., INC. ALL RIGHTS RESERVED.

1. SPECIFIC GRAVITY IS 1.75
2. 1 PIECE ROTATIONALLY MOLDED
3. TRANSLUCENT
4. FDA APPROVED RESIN
5. CALIBRATED IN GALLONS
6. THREE YEAR WARRANTY
7. UV STABILIZED
8. FREE STANDING



DRAWN / DATE DHJ 3/11/94		MATERIAL HDPE OR EQUIVALENT REFERENCE MATERIAL DATA SHEET FOR SPECIFIC PROPERTIES.		 866-310-2556	
APPRD. / DATE XXXXXXX		NOTES: 1. SHOT WEIGHT 56 LBS. 2. BLACK, GREEN, WHITE OR YELLOW COLOR		CLIENT / DESCRIPTION 125 GALLON LEG TANK	
REV	DESCRIPTION	DATE	APPRD.	SCALE N.S.	PART NO. FS0125-32
ALL DIMENSIONS ARE IN DECIMAL INCHES TOLERANCES UNLESS OTHERWISE SPECIFIED $\pm 1\% @ 68^{\circ} F$				THIRD ANGLE PROJECTION ANSI 11.51 