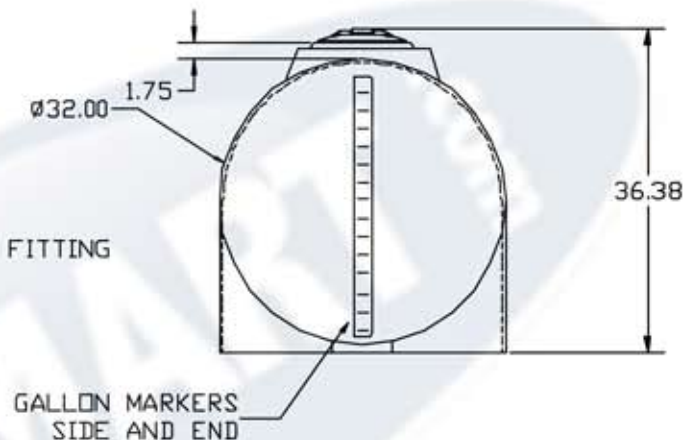
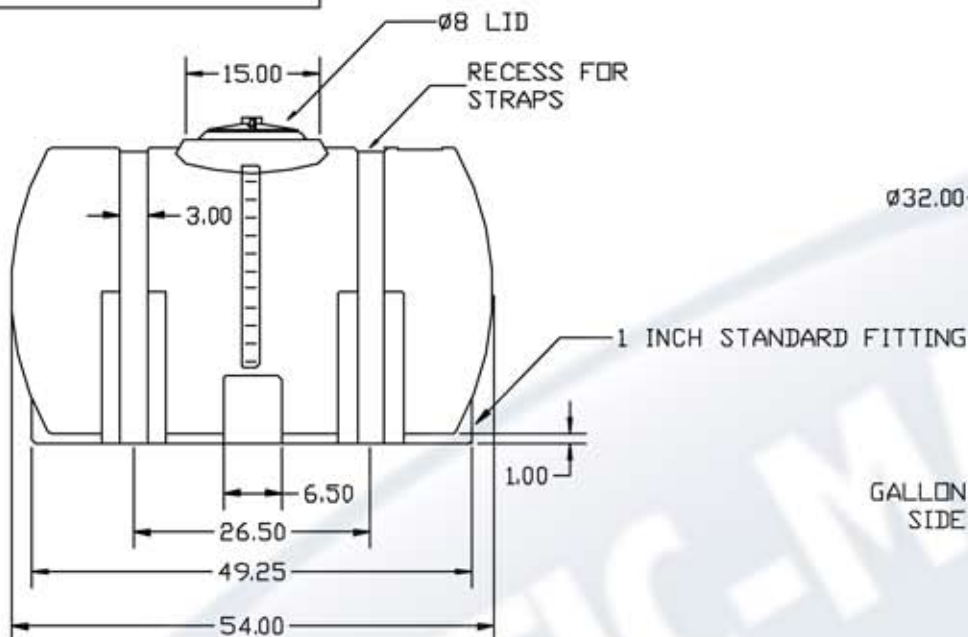


PROPRIETARY DATA

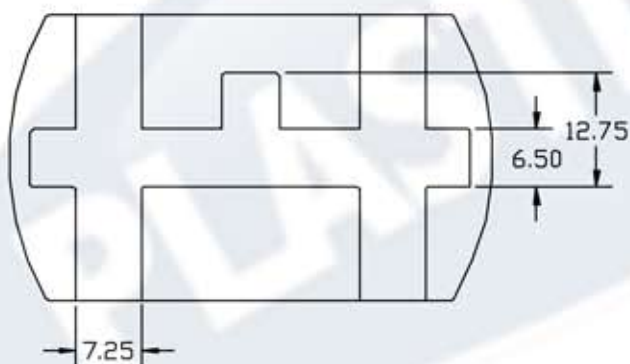
FS0165-32

PROPERTY OF ACE ROTOMOLD MFG., INC. INFORMATION FURNISHED HEREIN IS THE PROPERTY OF ACE ROTOMOLD MFG., INC. AND SHALL NOT BE USED, DISCLOSED TO OTHERS, OR COPIED WITHOUT THE EXPRESSED WRITTEN CONSENT OF ACE ROTOMOLD MFG., INC. ALL RIGHTS RESERVED.

SIDE



BOTTOM



DRAWN / DATE

NVE 6/9/15

MATERIAL

MOBL 134 HDPE OR EQUIVALENT
REFERENCE MATERIAL DATA SHEET
FOR SPECIFIC PROPERTIES.

APPRD. / DATE

DHJ 6/22/05

PLASTIC-MART

866-310-2556

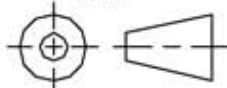
CLIENT / DESCRIPTION

165 GALLON CAPACITY
FREE STANDING LEG TANK

ALL DIMENSIONS ARE IN DECIMAL INCHES
TOLERANCES UNLESS OTHERWISE SPECIFIED

± 1% @ 68° F

THIRD ANGLE PROJECTION
ANSI 11.5/1



NOTES:

1. NOM. WALL @ 200
2. WHITE OR COLD
3. SHOT WEIGHT 71 LBS.

SCALE

N.S.

PART NO.

FS0165-32