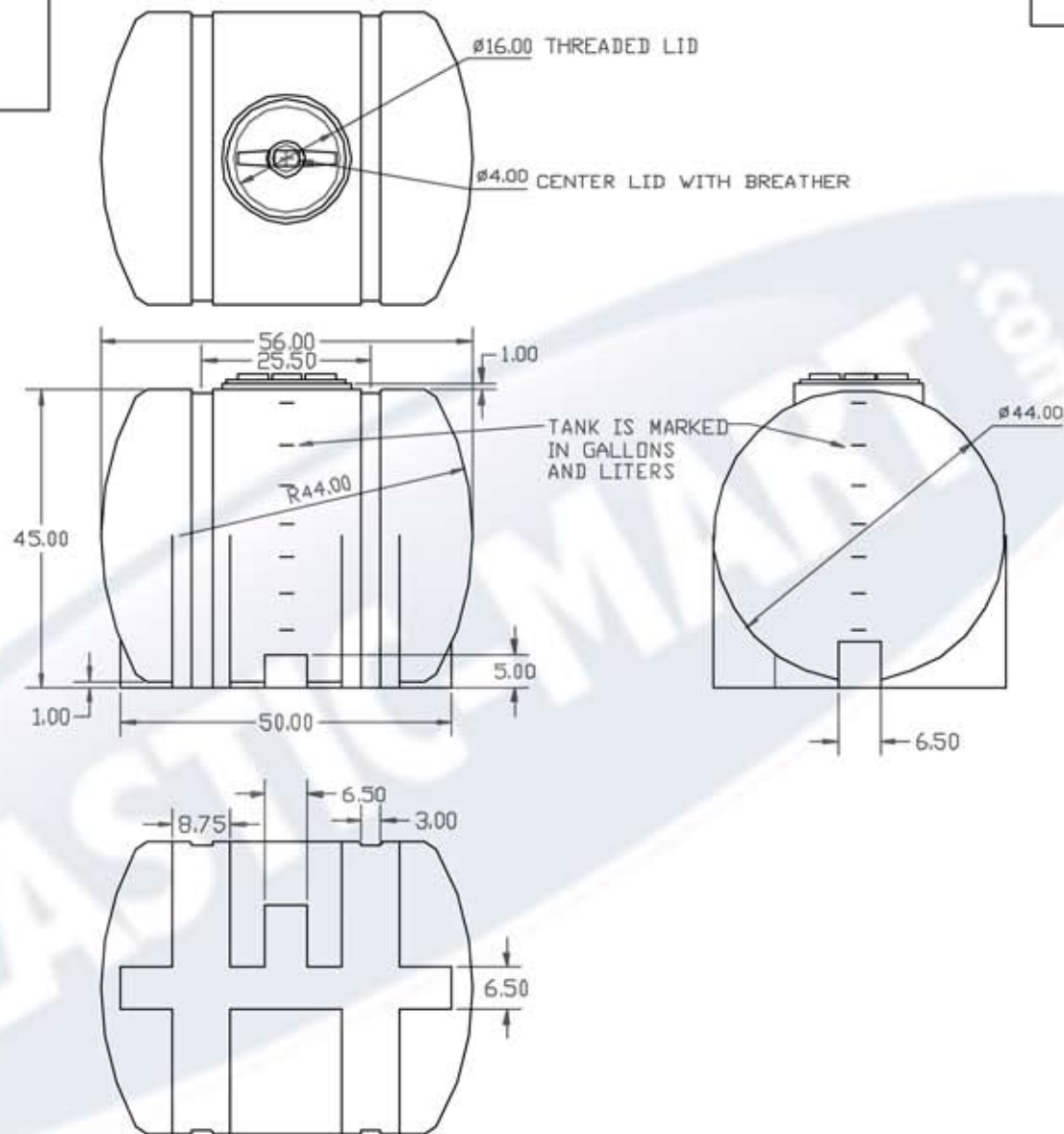


PROPRIETARY DATA

FS0335-44

PROPERTY OF ACE ROTO-MOLD MFG., INC. INFORMATION FURNISHED HEREIN IS THE PROPERTY OF ACE ROTO-MOLD MFG., INC. AND SHALL NOT BE USED, DISCLOSED TO OTHERS, OR COPIED WITHOUT THE EXPRESSED WRITTEN CONSENT OF ACE ROTO-MOLD MFG., INC. ALL RIGHTS RESERVED.



				DRAWN / DATE DHJ 12/20/12	MATERIAL HDPE OR EQUIVALENT REFERENCE MATERIAL DATA SHEET FOR SPECIFIC PROPERTIES.		866-310-2556
				APPRD. / DATE XXXXXX	CLIENT / DESCRIPTION 335 GALLON FREE-STANDING TANK		
REV	DESCRIPTION	DATE	APPRD.	THIRD ANGLE PROJECTION ANSI #1 SH		SCALE N.S.	PART NO. FS0335-44
ALL DIMENSIONS ARE IN DECIMAL INCHES TOLERANCES UNLESS OTHERWISE SPECIFIED ± 1% @ 68° F				NOTES: 1. WHITE, BLACK, YELLOW OR DESERT TAN COLOR 2. SHOT WEIGHT 116 LBS.			