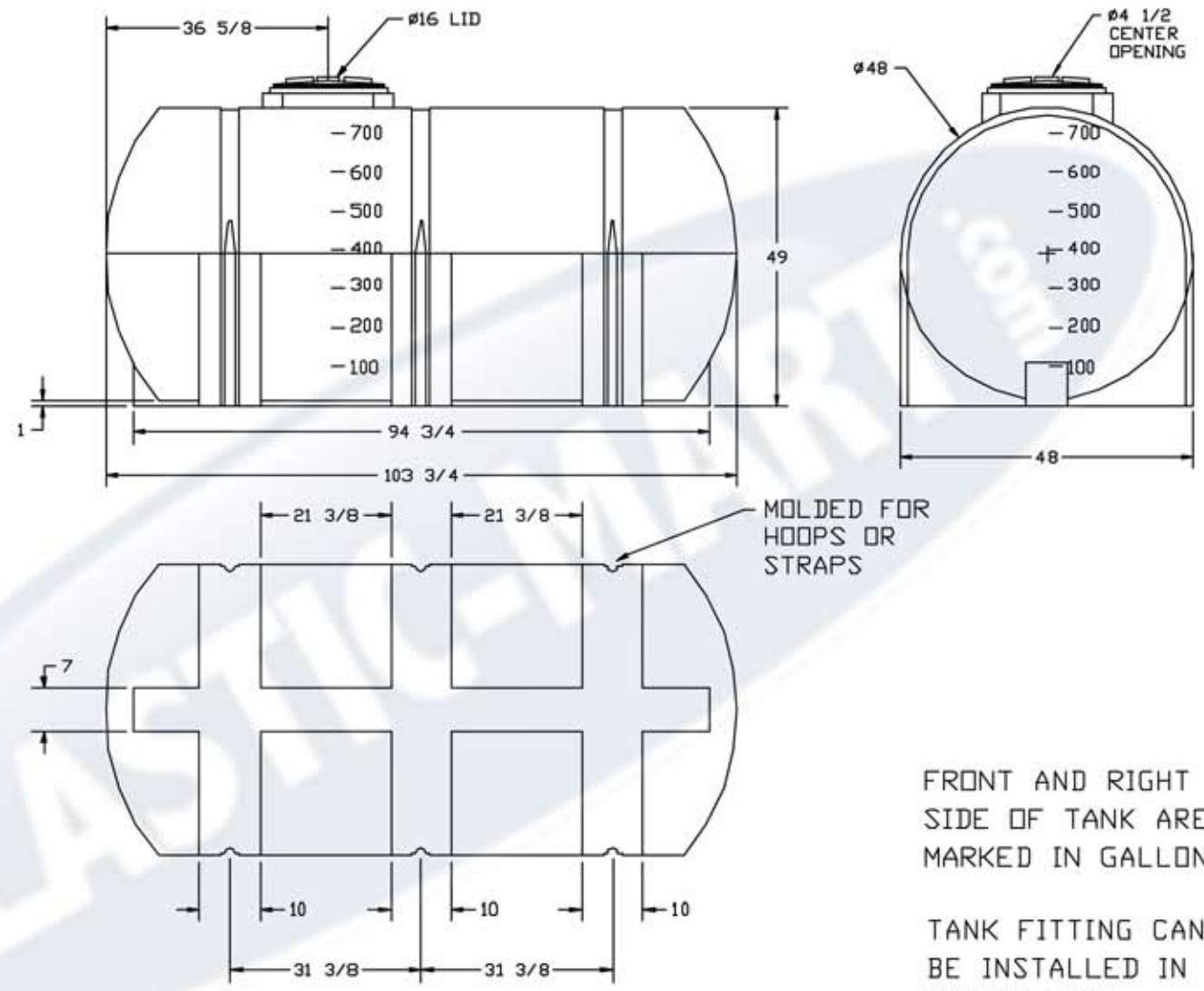


1. SPECIFIC GRAVITY IS 1.75
2. 1 PIECE ROTATIONALLY MOLDED
3. TRANSLUCENT
4. FDA APPROVED RESIN
5. CALIBRATED IN GALLONS
6. THREE YEAR WARRANTY
7. UV STABILIZED
8. FREE STANDING



FRONT AND RIGHT SIDE OF TANK ARE MARKED IN GALLONS

TANK FITTING CAN BE INSTALLED IN EITHER END

| | | | | | |
|---|-------------|---------|------|------------------------|--|
| DRAWN | | DATE | | MATERIAL | |
| DEAN | | 12-3-97 | | POLYETHYLENE | |
| APPROVED | | DATE | | PART WEIGHT | |
| REV | DESCRIPTION | DATE | APVD | THIRD ANGLE PROJECTION | |
| SCALE NONE | | | | | |
| UDS DIMENSIONS ARE IN INCHES GENERAL TOLERANCES ± .5% @ 68° F | | | | | |

PLASTIC-MART 866-310-2556

| | | |
|--------------------|---|-----|
| PART NO. FS0735-48 | | REV |
| SIZE | A | |