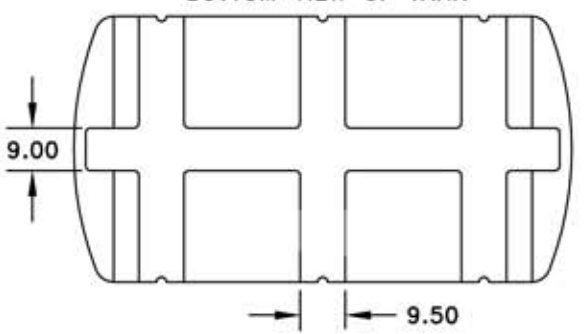


BOTTOM VIEW OF TANK

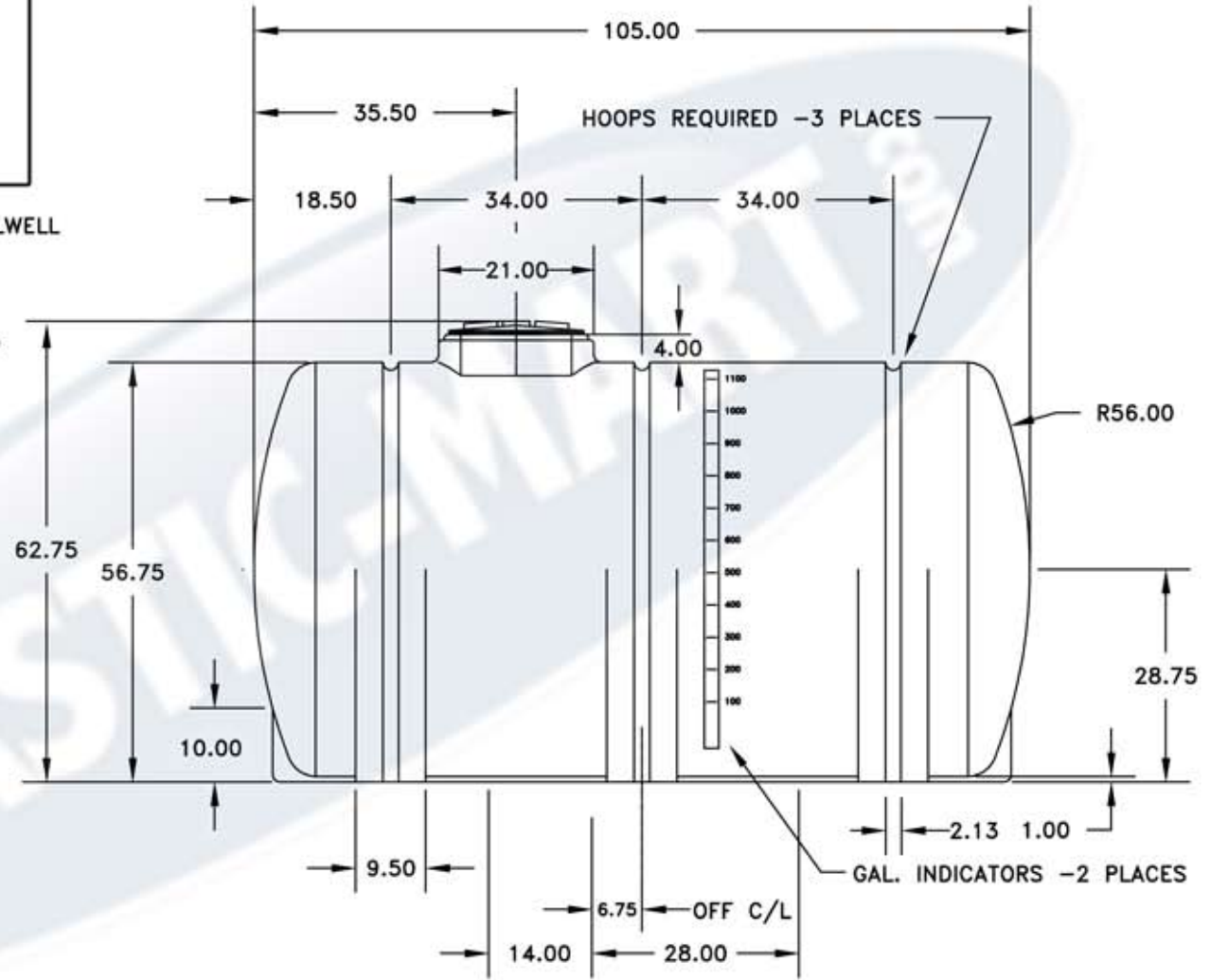
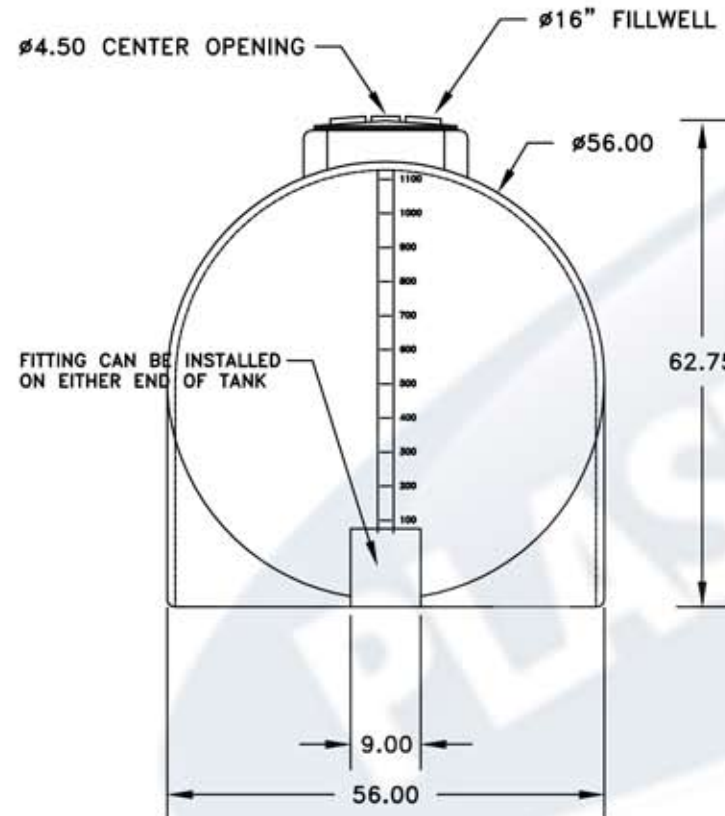


PROPRIETARY DATA

PROPERTY OF ACE ROTO-MOLD MFG., INC. INFORMATION FURNISHED HEREIN IS THE PROPERTY OF ACE ROTO-MOLD MFG., INC. AND SHALL NOT BE USED, DISCLOSED TO OTHERS, OR COPIED WITHOUT THE EXPRESSED WRITTEN CONSENT OF ACE ROTO-MOLD MFG., INC. ALL RIGHTS RESERVED.

FS1065-56W

A



REV	DESCRIPTION	DATE	APPRD
A	WAS FS1065-58	3/23/06	REH/1/30/96

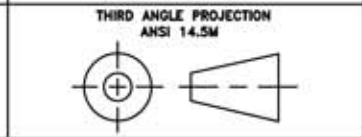
DRAWN / DATE	MATERIAL / SHOT WEIGHT
REH/1/30/96	M111 M135 U625 P938
APPRD. / DATE	300
REH/1/30/96	

CLIENT / DESCRIPTION
ACE 1065 GAL. LEG TANK



866-310-2556

ALL DIMENSIONS ARE IN DECIMAL INCHES
TOLERANCES UNLESS OTHERWISE SPECIFIED
± .5% @ 68° F



- NOTES:
1. NOM. WALL = .375
 2. SHRINK ALLOWANCE = 2.75%
 3. RESIN IS NATURAL COLOR
 4. FDA APPROVED RESIN
 5. U.V. STABILIZED

SCALE N.S.

PART NO. FS1065-56W