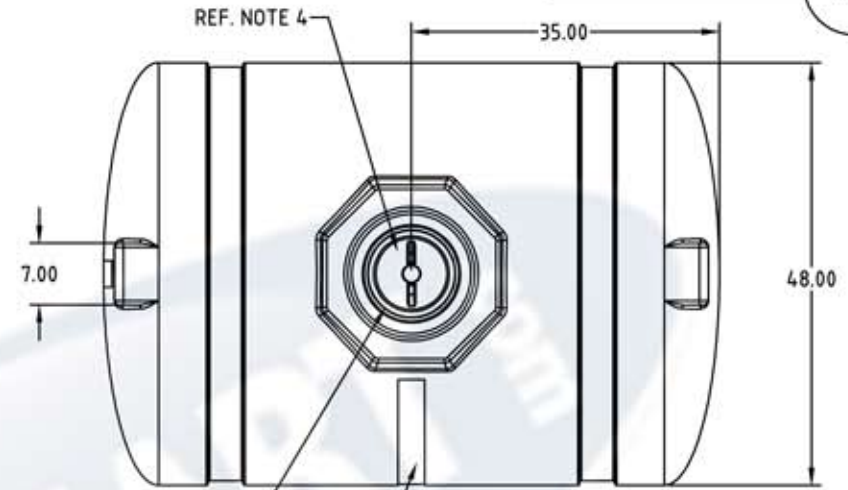
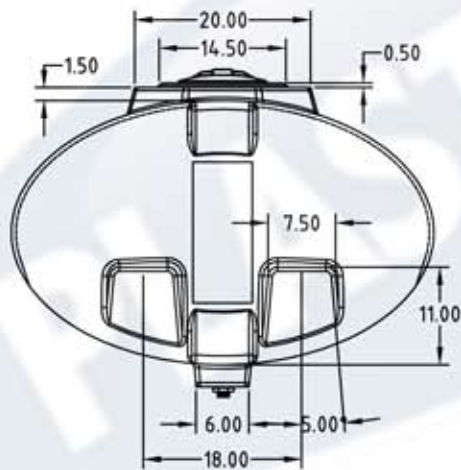
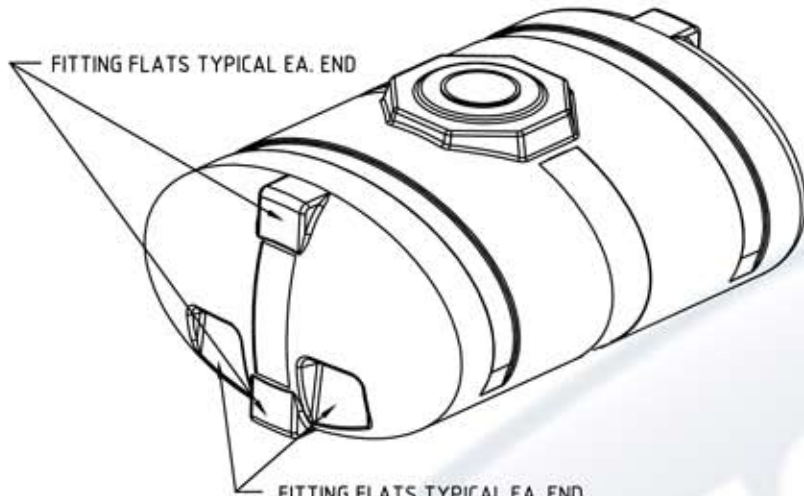
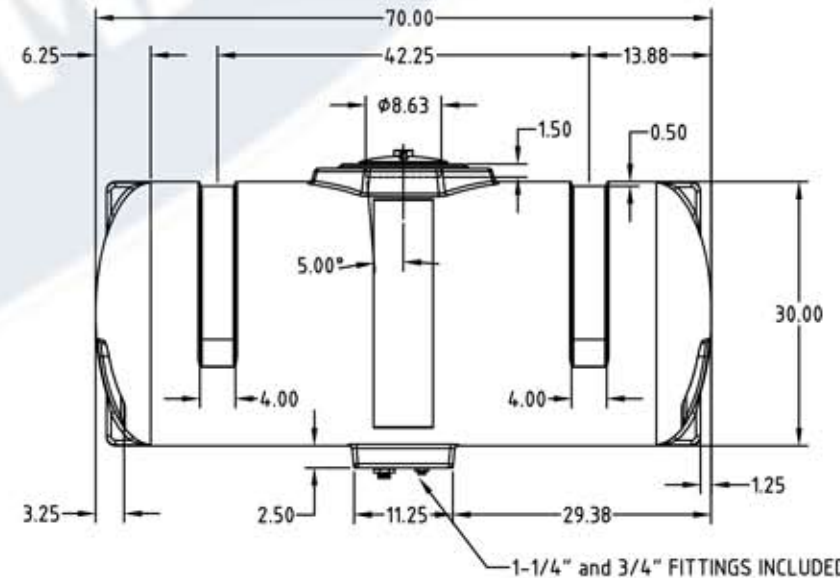


Copyright. All information furnished within this document, electronic file or design correspondence is the property of Den Hartog Industries, Inc. and shall not be used, disclosed to others or copied without the expressed written consent of Den Hartog Industries, Inc.



STANDARD LID IS 8"  
5" AND 7" LIDS ARE AVAILABLE

GALLON / LITER INDICATORS ONE SIDE AND ONE END.  
GALLON CALIBRATIONS ARE IN 25 GAL. INCREMENTS



1-1/4" and 3/4" FITTINGS INCLUDED

|  |             |                            |                             |  |             |      |      |
|--|-------------|----------------------------|-----------------------------|--|-------------|------|------|
|  |             | DRAWN / DATE<br>REH/4/9/01 |                             | MATERIAL / SHOT WEIGHT                   |             |      |      |
| A ADDED 7" LID OPTION CCN1773  |             | REH 1/5/09                 | APPRD. / DATE<br>DHJ/4/9/01 | M111                                     | M134<br>112 | U625 | P938 |
| REV  | DESCRIPTION | DATE                       | APPRD                       |  |             |      |      |
| ALL DIMENSIONS ARE IN DECIMAL INCHES<br>TOLERANCES UNLESS OTHERWISE SPECIFIED<br>± .5% @ 68° F |             |                            |                             | THIRD ANGLE PROJECTION<br>ANSI 14.5M<br> |             |      |      |

NOTES:  
1.300 NOMINAL WALL



866-310-2556

CLIENT / DESCRIPTION

300 GALLON ELLIPTICAL TANK

SCALE  
N.S.

PART NO.  
HE0300-48