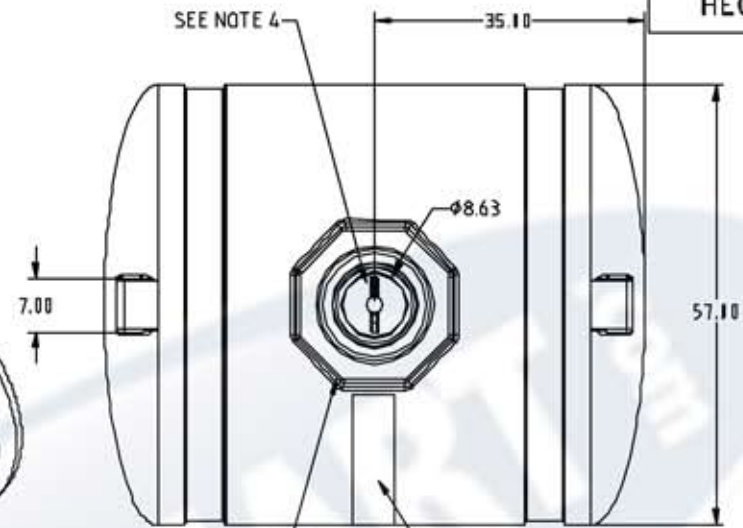
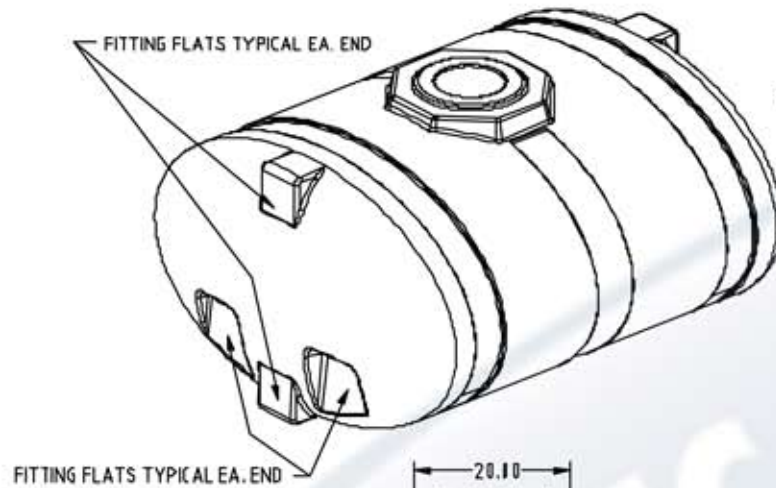


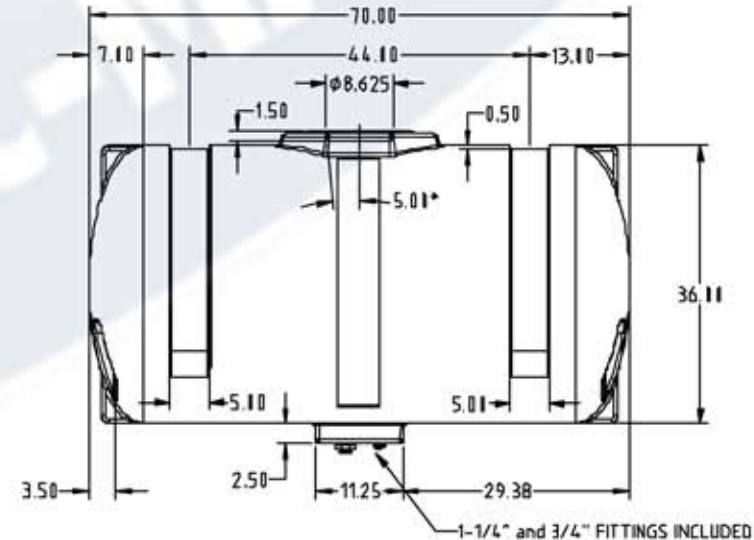
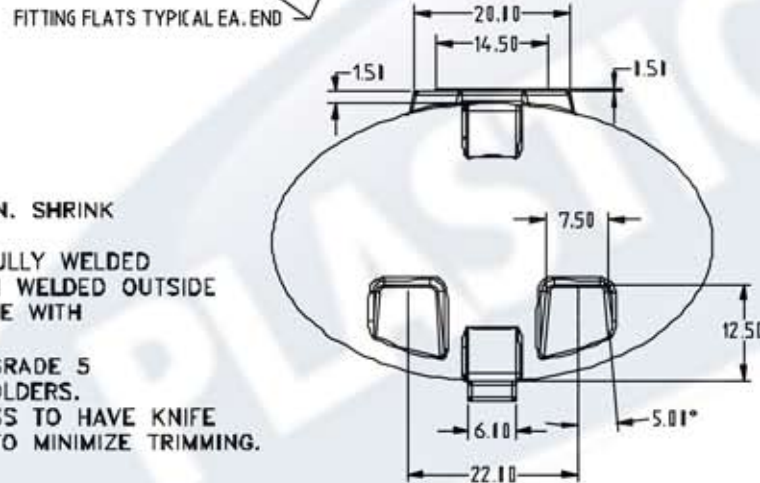
PROPRIETARY DATA

PROPERTY OF ACE ROTO-MOLD MFG., INC. INFORMATION FURNISHED HEREIN IS THE PROPERTY OF ACE ROTO-MOLD MFG., INC. AND SHALL NOT BE USED, DISCLOSED TO OTHERS, OR COPIED WITHOUT THE EXPRESSED WRITTEN CONSENT OF ACE ROTO-MOLD MFG., INC. ALL RIGHTS RESERVED.

HE0400-57



STANDARD LID IS 8" GALLON / LITER INDICATORS ONE SIDE AND ONE END GALLON CALIBRATIONS ARE IN 25 GAL. INCREMENTS



GENERAL NOTES:

1. USE .027 IN./IN. SHRINK ALLOWANCE
2. MOLD TO BE FULLY WELDED INSIDE AND STITCH WELDED OUTSIDE
3. CLAMPING TO BE WITH 1/2" X 1-1/2" GRADE 8 BOLTS, GRADE 5 NUTS AND NUT HOLDERS.
4. LID RING RECESS TO HAVE KNIFE EDGE ON INSERT TO MINIMIZE TRIMMING.

DRAWN / DATE
REH/4/16/01

MATERIAL / SHOT WEIGHT

M111	M134	U625	P938
	127		

PLASTIC-MART

866-310-2556

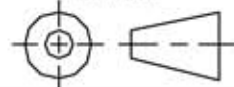
APPRD. / DATE
REH/4/16/01

CLIENT / DESCRIPTION

ACE 400 GALLON ELLIPTICAL TANK

ALL DIMENSIONS ARE IN DECIMAL INCHES
TOLERANCES UNLESS OTHERWISE SPECIFIED
± .5% @ 68° F

THIRD ANGLE PROJECTION
ANSI 14.3M



NOTES:

1. .300 NOMINAL WALL

SCALE
N.S.

PART NO.
HE0400-57