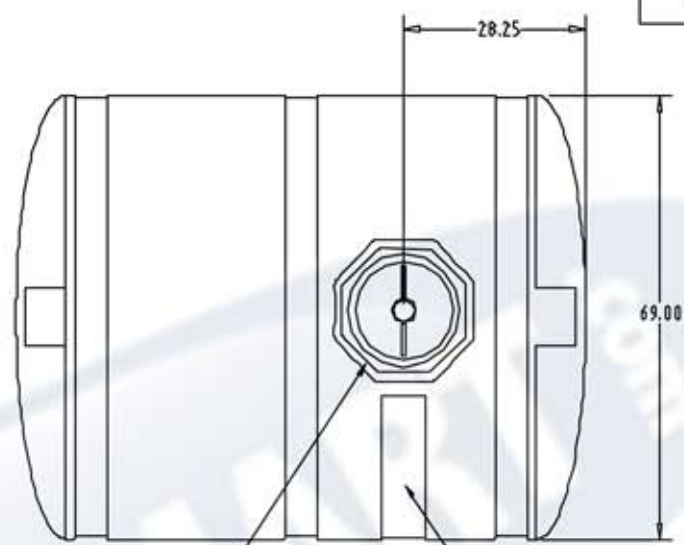


# PROPRIETARY DATA

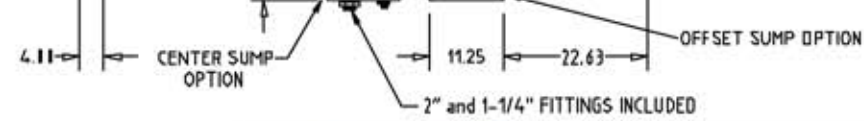
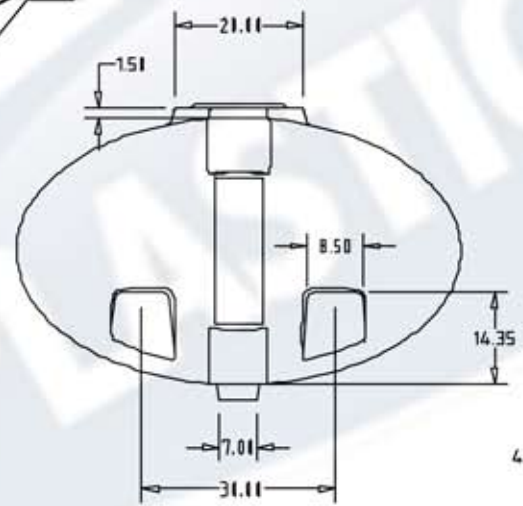
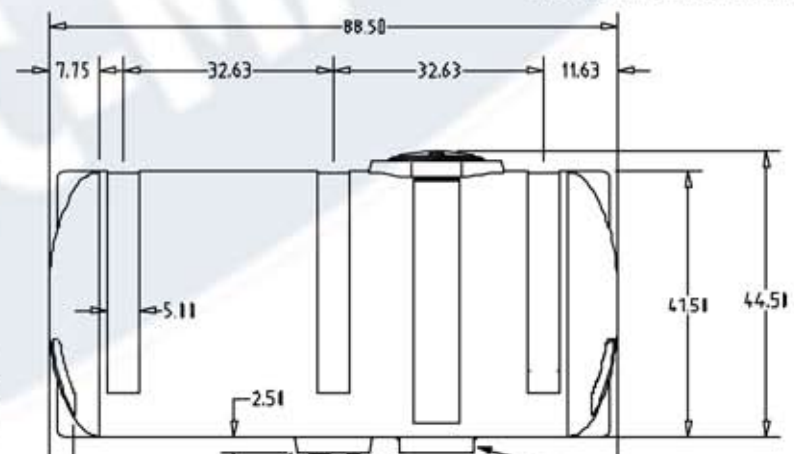
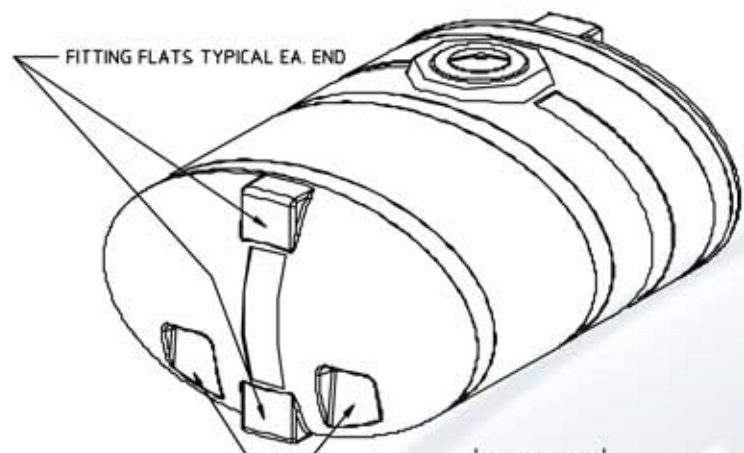
HE0750-69

PROPERTY OF ACE ROTO-MOLD MFG., INC. INFORMATION FURNISHED HEREIN IS THE PROPERTY OF ACE ROTO-MOLD MFG., INC. AND SHALL NOT BE USED, DISCLOSED TO OTHERS, OR COPIED WITHOUT THE EXPRESSED WRITTEN CONSENT OF ACE ROTO-MOLD MFG., INC. ALL RIGHTS RESERVED.



STANDARD LID IS 16"

GALLON / LITER INDICATORS ONE SIDE AND ONE END  
GALLON CALIBRATIONS ARE IN 50 GAL. INCREMENTS



REV	DESCRIPTION	DATE	APPRD
-----	-------------	------	-------

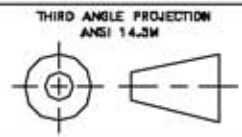
DRAWN / DATE	REH/2/14/02
APPRD. / DATE	REH/2/14/02

MATERIAL / SHOT WEIGHT			
M111	M134	U625	P93B
	220		

**PLASTIC-MART** 866-310-2556

CLIENT / DESCRIPTION  
ACE 750 GALLON ELLIPTICAL TANK

ALL DIMENSIONS ARE IN DECIMAL INCHES  
TOLERANCES UNLESS OTHERWISE SPECIFIED  
± .5% @ 68° F



NOTES:  
1. .350 NOMINAL WALL  
2. BLACK, GREY, WHITE,  
OR YELLOW COLOR

SCALE N.S. PART NO. HE0750-69