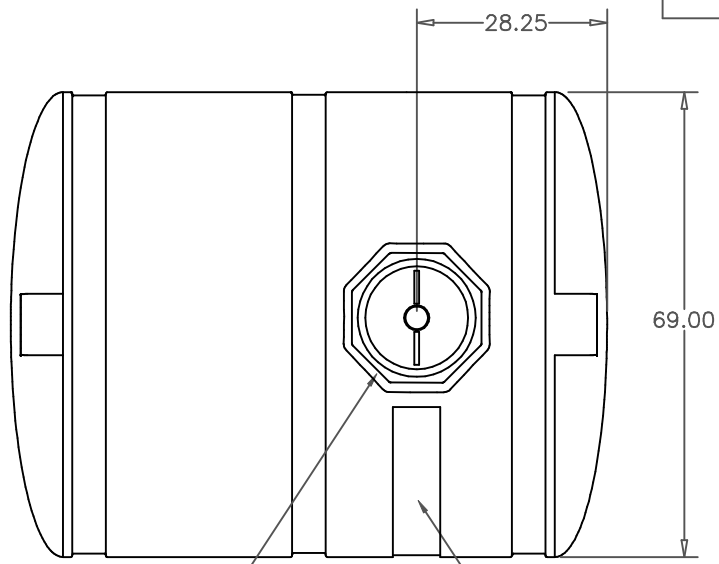
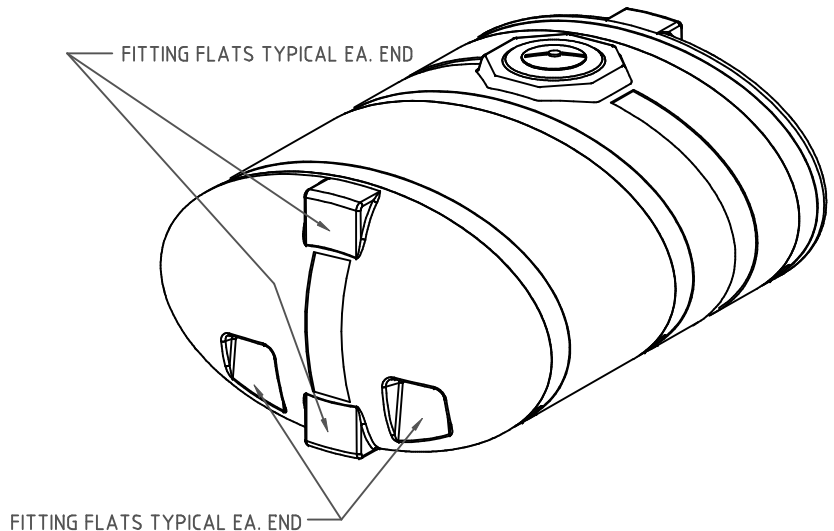


PROPRIETARY DATA

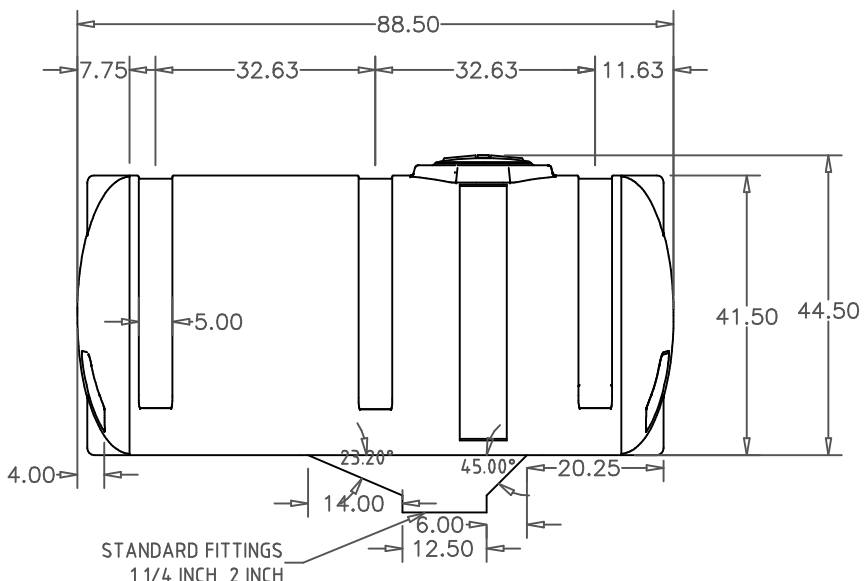
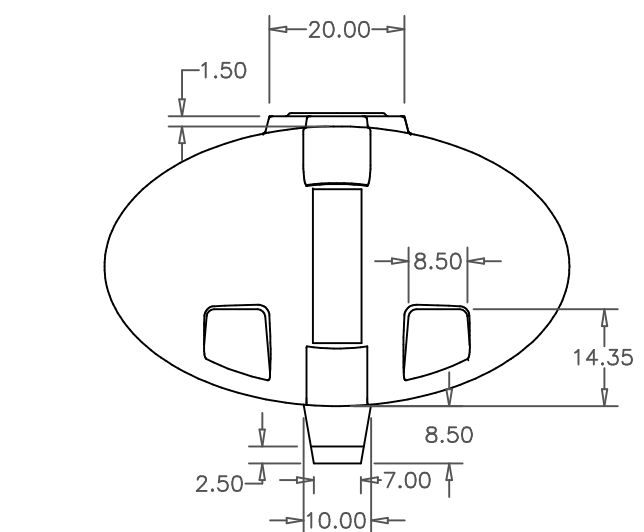
PROPERTY OF ACE ROTO-MOLD MFG., INC. INFORMATION FURNISHED HEREIN IS THE PROPERTY OF ACE ROTO-MOLD MFG., INC. AND SHALL NOT BE USED, DISCLOSED TO OTHERS, OR COPIED WITHOUT THE EXPRESSED WRITTEN CONSENT OF ACE ROTO-MOLD MFG., INC. ALL RIGHTS RESERVED.

HED0750-69

C



STANDARD LID IS 16" GALLON / LITER INDICATORS ONE SIDE AND ONE END GALLON CALIBRATIONS ARE IN 50 GAL. INCREMENTS



STANDARD FITTINGS 1 1/4 INCH 2 INCH

C	REVISE SUMP DIM.	5\23\05	DRAWN / DATE
B	MOVE SUMP 11" OFF CENTER	7\9\03	REH/2/14/02
A	ADD LARGE SUMP	7\1\03	APPRD. / DATE
REV	DESCRIPTION	DATE APPRD	ADH/11/12/07

MATERIAL / SHOT WEIGHT			
M111	M134	U625	P938
	220		

NOTES:  
1. .330 NOMINAL WALL

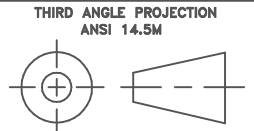


ACE ROTO-MOLD

A DIVISION OF DEN HARTOG INDUSTRIES, INC.  
4018 HWY. 60 BLVD., BOX 421, HOSPERS, IOWA 51238

CLIENT / DESCRIPTION  
ACE 750 GALLON ELLIPTICAL TANK DEEP SUMP

ALL DIMENSIONS ARE IN DECIMAL INCHES  
TOLERANCES UNLESS OTHERWISE SPECIFIED  
± .5% @ 68° F



SCALE	N.S.	PART NO.	HED0750-69
-------	------	----------	------------