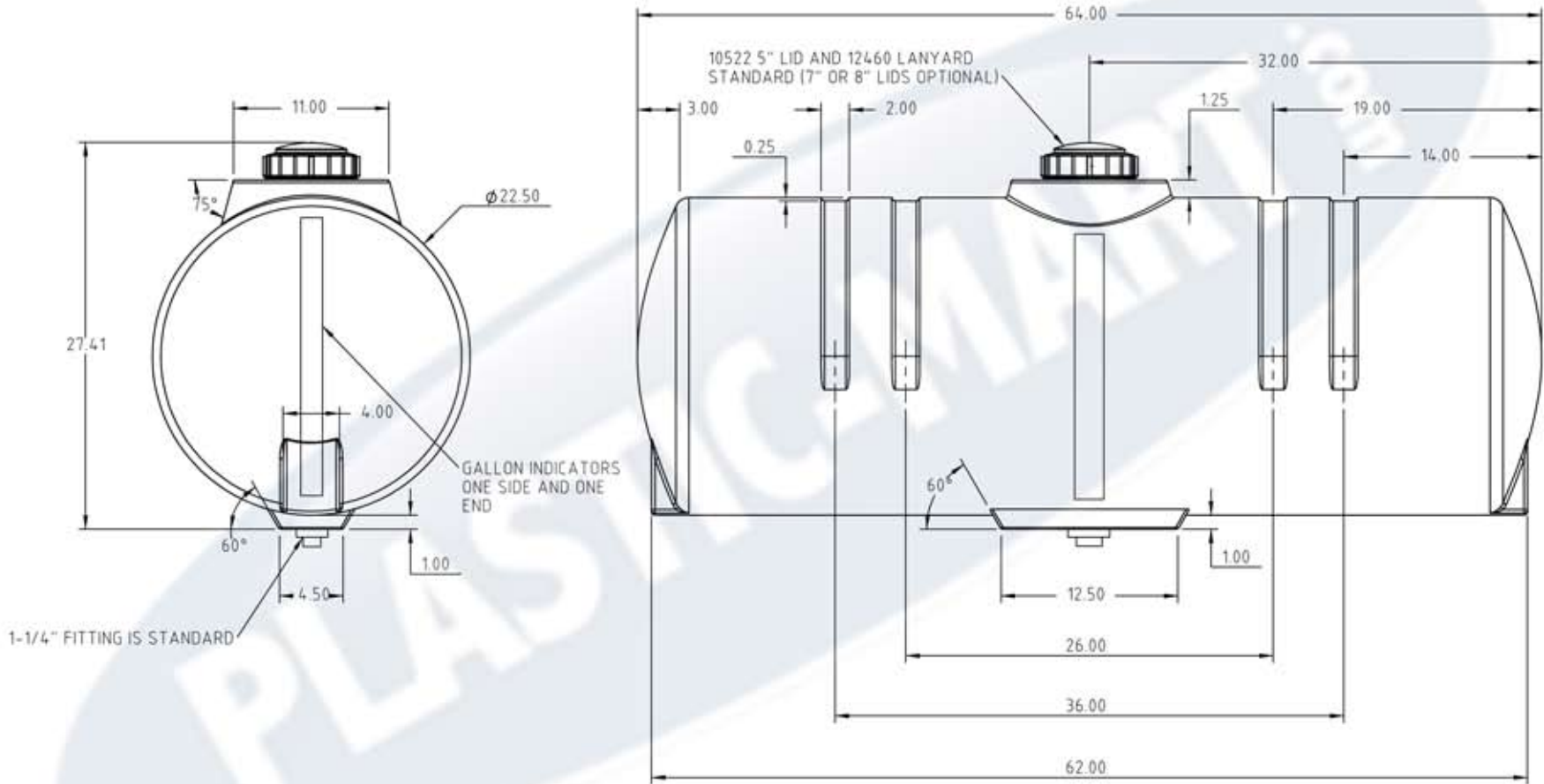


Copyright. All information furnished within this document, electronic file or design correspondence is the property of Den Hartog Industries, Inc. and shall not be used, disclosed to others or copied without the expressed written consent of Den Hartog Industries, Inc.



DRAWN / DATE ADH 6/29/09		MATERIAL 10420 3 MELT	
APPRD. / DATE REH 6/29/09		NOTES: 1.200 WALL THICKNESS	
REV	DESCRIPTION	BY / DATE	CCN
ALL DIMENSIONS ARE IN DECIMAL INCHES TOLERANCES UNLESS OTHERWISE SPECIFIED		THIRD ANGLE PROJECTION ANSI 14.5M	
POLYETHYLENE		SHOT WEIGHT: 38 LB.	
METAL DECIMAL ± .125" FRACTION ± 1/4" ANGLE ± 1°		SHIPPING WEIGHT: 40 LB.	
±1% @ 68°F		FINISH:	



866-310-2556

DESCRIPTION 100 GALLON HORIZONTAL TANK	
SCALE N.S.	PART NO. HZ0100-23