

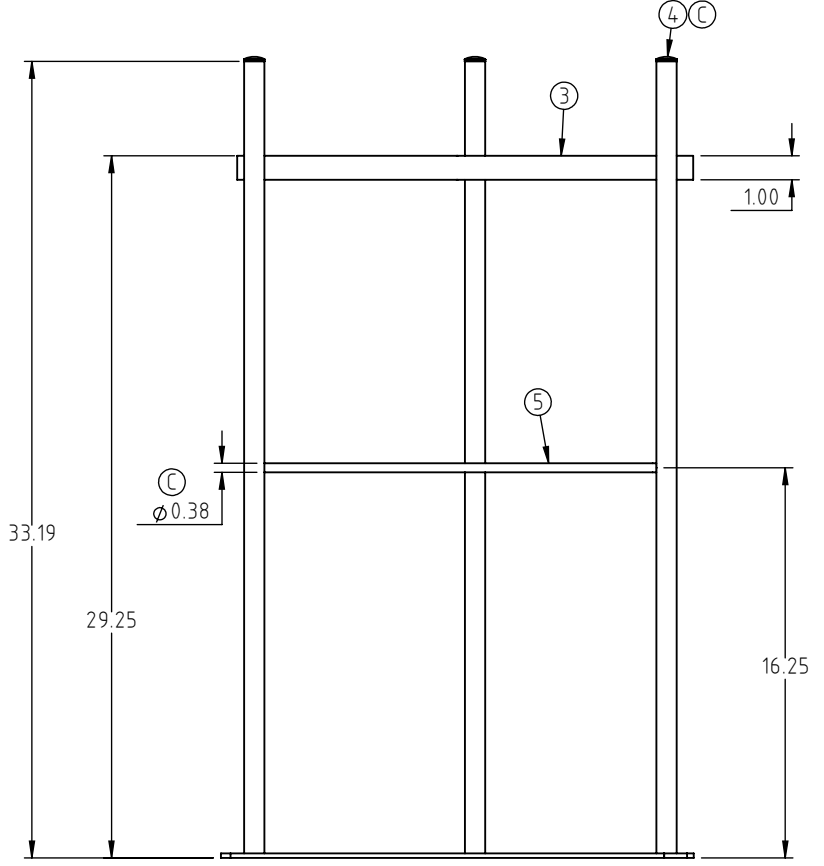
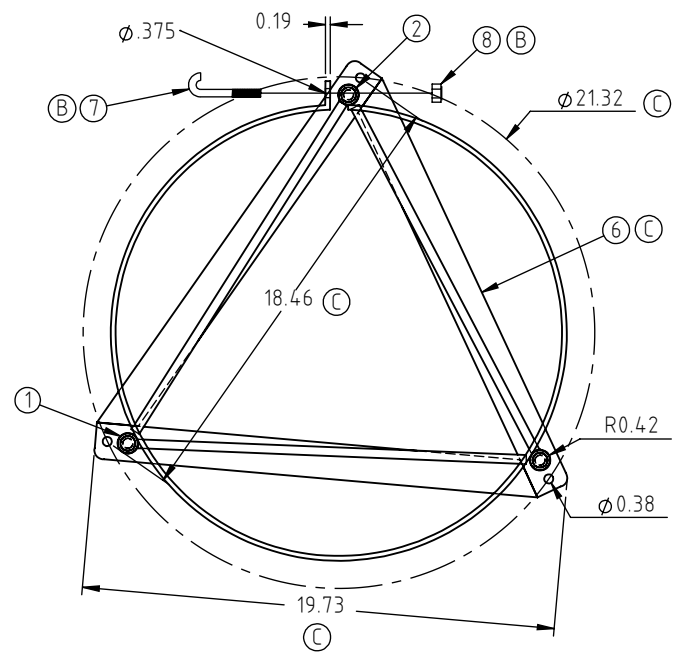
PROPRIETARY DATA

PROPERTY OF ACE ROTO-MOLD MFG., INC. INFORMATION FURNISHED HEREIN IS THE PROPERTY OF ACE ROTO-MOLD MFG., INC. AND SHALL NOT BE USED, DISCLOSED TO OTHERS, OR COPIED WITHOUT THE EXPRESSED WRITTEN CONSENT OF ACE ROTO-MOLD MFG., INC. ALL RIGHTS RESERVED.

KEY	PART NUMBER	MATERIAL	DESCRIPTION	QTY.
1	INFD15-ST-1	P05000	TUBING, 1/2" PIPE SIZE	3 @ 33" (99 IN) (HOLE INCLUDED)
2	INFD15-ST-2	P05000	TUBING, 1/2" SIZE PIPE (HOLE)	1
3	IN15-ST-3	B0175X10000	FLAT, 3/16x1 MILD STEEL	58.5 IN
4	12582	62202	1/2" PIPE PLUG	3
5	IN15-ST-5	R03750	3/8" MILD STEEL ROD	3 @ 16.19" (48.56 IN)
6	12080	B01875X1500	FLAT, 3/16 X 1 1/2 MILD STEEL	3 @ 18.56 IN (55.69 IN)
7	J.313X3.000	J.313X3.000	J BOLT, 5/16" X 3"	1
8	10280	10280	NUT, 5/16" NYLOK	1

INFD15-ST

C



REV	DESCRIPTION	BY / DATE	CCN	DRAWN / DATE	APPRD. / DATE	MATERIAL
C	DIMENSIONS, BASE STRAPS AND LEG PLUGS UPDATED	ADH 10/10/08	1729	ADH 12/11/07		
B	PARTS 7, 8 AND FINISH NOTE ADDED. WEIGHT UPDATED	ADH 3/20/08	1626			
A	PART/DIMENSIONS UPDATED	ADH 10/4/07	1477	REH 12/14/07		

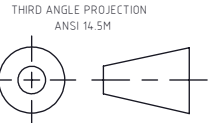


**Den Hartog**  
INDUSTRIES, INC.

Ace Roto-Mold Injection Molding Blow Molding Sowjoy  
4010 HOSPERS DRIVE S. BOX 425, HOSPERS, IOWA 51238-0421

ALL DIMENSIONS ARE IN DECIMAL INCHES  
TOLERANCES UNLESS OTHERWISE SPECIFIED

DECIMAL ± .125"  
FRACTION ± 1/4"  
ANGLE ± 1°



NOTES:  
1.) POWDER COATING, BLACK TILE, 40012  
2.) WEIGHT: 15.5 LBS (B)

DESCRIPTION	INDUCTOR STAND FOR 15 GALLON FULL DRAIN TANKS	
SCALE	N.S.	PART NO. INFD15-ST