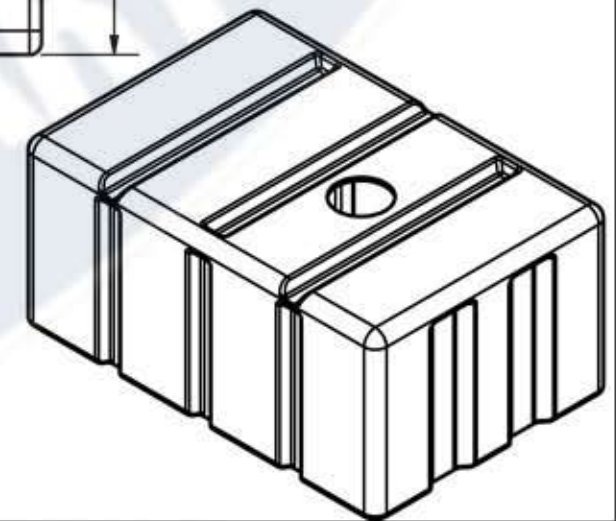



TWO HAND HOLDS
BOTH ENDS



DRAWN Jerry Paulson	1/18/2011
CHECKED	
QA	
MFG	
APPROVED	

		866-310-2556	
TITLE			
300 GALLON LOAF TANK			
SIZE		DWG NO	REV
A			
SCALE: 1/16		SHEET 1 OF 1	