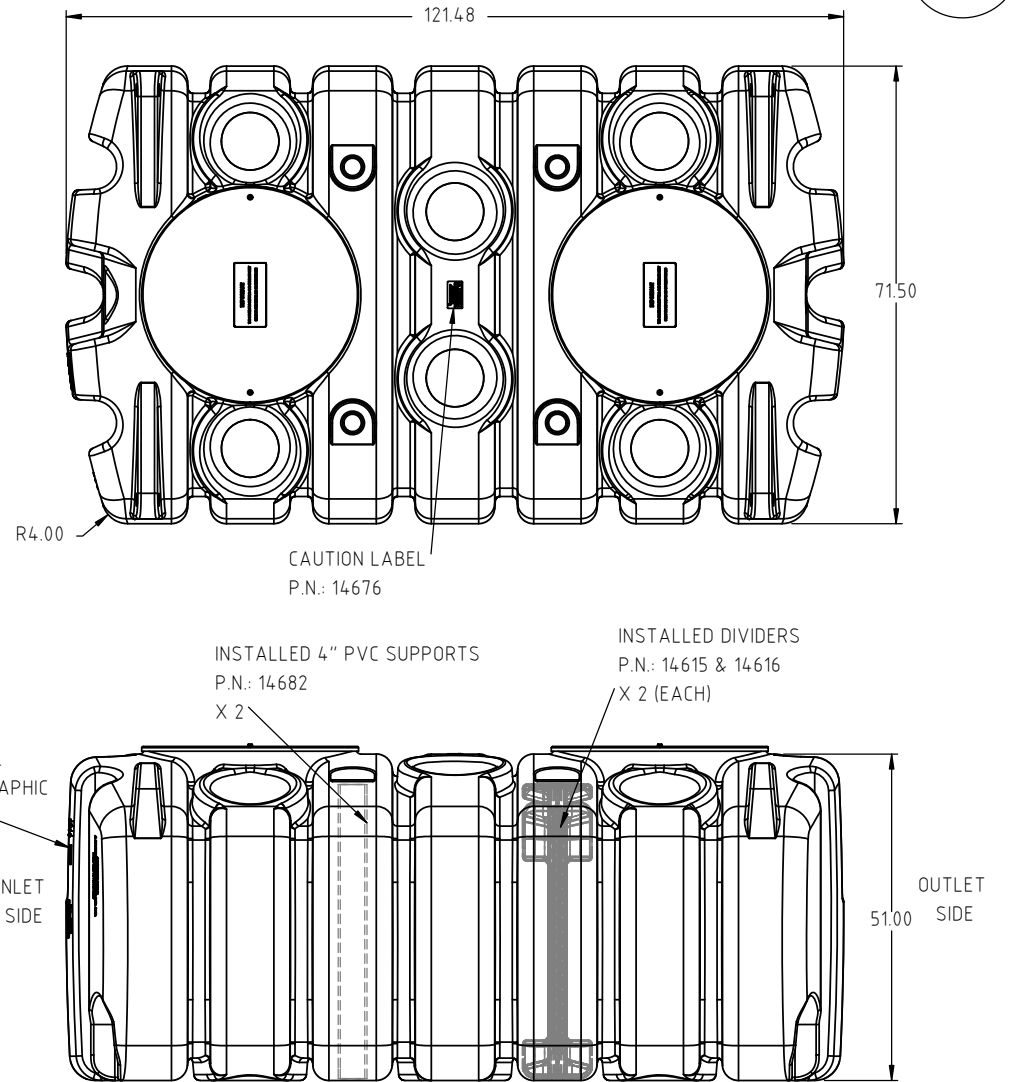
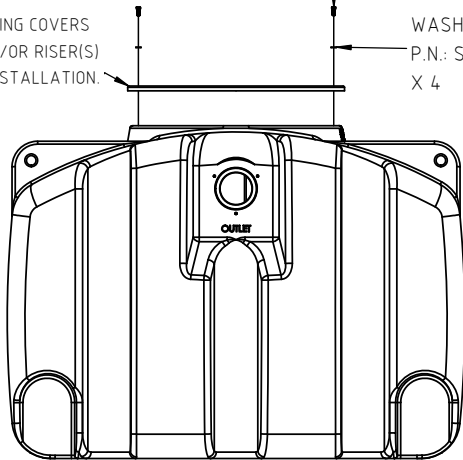


Copyright. All information furnished within this document, electronic file or design correspondence is the property of Den Hartog Industries, Inc. and shall not be used, disclosed to others or copied without the expressed written consent of Den Hartog Industries, Inc.

CAUTION LABEL 14676



STANDARD TANK SENT WITH TWO 19465 SHIPPING COVERS BUT BURIAL LID(S) AND/OR RISER(S) REQUIRED FOR FINAL INSTALLATION.



BOLT, 3/8" X 1" HEX GR 5 ZINC
P.N.: 10089

X 4

WASHER, 3/8" FLAT ZINC
P.N.: SJ10937
X 4

UPC SYMBOL MOLD ON GRAPHIC
P.N. 11331

(A)

INLET SIDE

INSTALLED 4" PVC SUPPORTS
P.N.: 14682
X 2

INSTALLED DIVIDERS
P.N.: 14615 & 14616
X 2 (EACH)

OUTLET SIDE

				DRAWN / DATE ADH 12/2/16	MATERIAL
B	602.00 LBS WAS 533.00 LBS	ADH 11/8/18	3665	APPRD. / DATE REH 7/19/17	
A	11331 NOTE ADDED TO THE PRINT.	ADH 5/7/18	3553		
REV	DESCRIPTION	BY / DATE	CCN		
ALL DIMENSIONS ARE IN DECIMAL INCHES TOLERANCES UNLESS OTHERWISE SPECIFIED		THIRD ANGLE PROJECTION ANSI 14.5M		SHOT WEIGHT:	NOTES:
POLYETHYLENE		METAL DECIMAL ± .125" FRACTION ± 1/4" ANGLE ± 1°		SHIPPING WEIGHT: 602 LBS	
±1% @ 68°F				FINISH:	



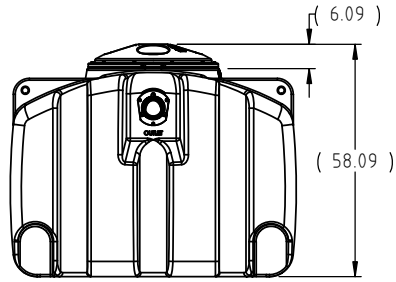
Den Hartog
INDUSTRIES, INC.

Ace Roto-Mold Injection Molding Blow Molding Sowjoy

4010 HOSPERS DRIVE S. BOX 425, HOSPERS, IOWA 51238-0425

DESCRIPTION	1000 GALLON LOW PROFILE TWO COMPARTMENT SEPTIC TANK ASSEMBLY AS SHIPPED		
SCALE	N.S.	PART NO.	LPS-1000-2

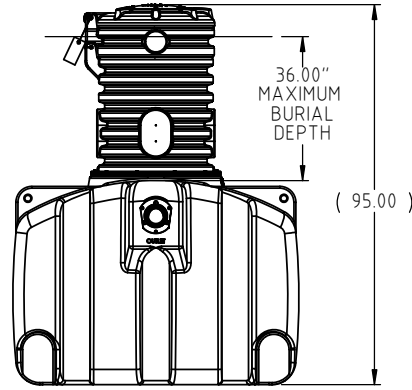
Copyright. All information furnished within this document, electronic file or design correspondence is the property of Den Hartog Industries, Inc. and shall not be used, disclosed to others or copied without the expressed written consent of Den Hartog Industries, Inc.



OPTIONAL
BURIAL LID ASSEMBLY
P.N.= ACT-16053BK
SHOWN

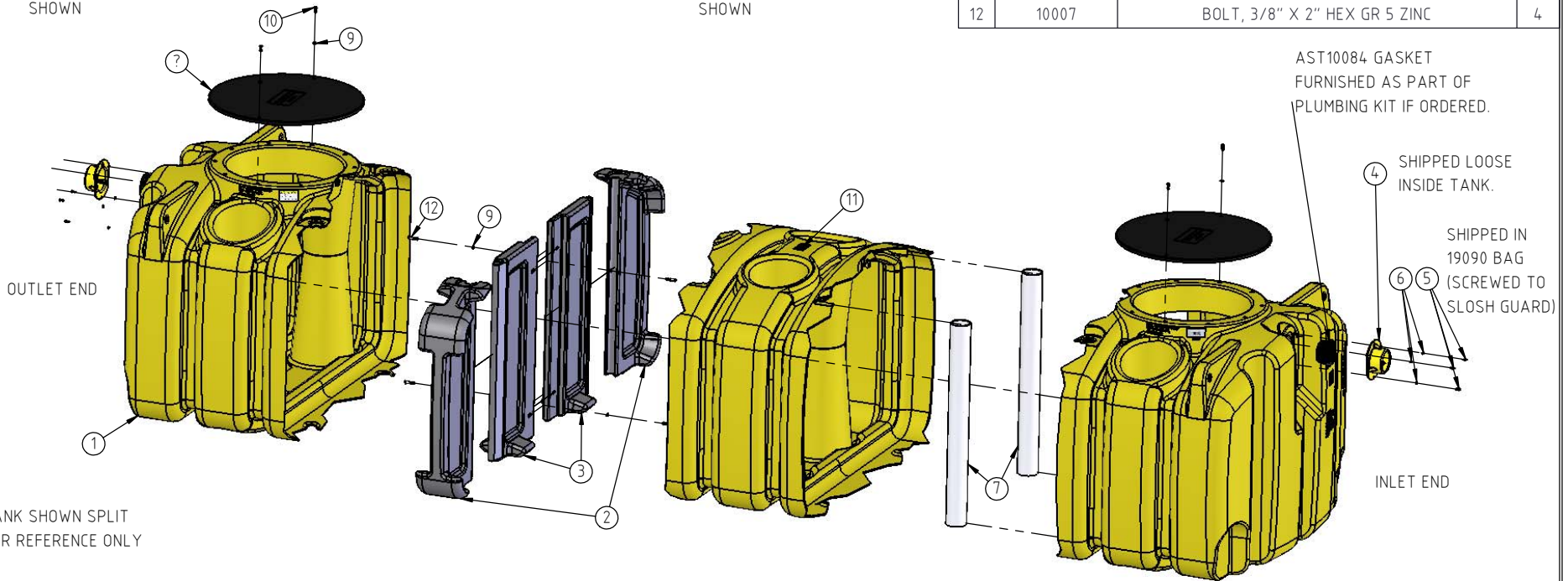
LID/COVER OPTIONS.
(TWO COMPLETE COVERS
REQUIRED FOR INSTALLATION).

- 1.) BURIAL LID ASSEMBLY
P.N.=ACT-16053BK
- 2.) 16" GROUND ACCESS RISER
P.N.=ACT-16054BK
- 3.) 28" GROUND ACCESS RISER
P.N.=ACT-16052BK
- 4.) 7" EXTENSION (REQUIRES RISER)
P.N.=AST19365
- 5.) 16" EXTENSION (REQUIRES RISER)
P.N.=AST19212




OPTIONAL
28" GROUND ACCESS RISER (ACT-16052BK)
AND 7" EXTENSION (AST19365)
SHOWN

KEY	PART NUMBER	DESCRIPTION	QTY.
1	LPS-1000	1000 GAL LOW PROFILE SEPTIC TANK	1
2	14616	OUTER DIVIDER	2
3	14615	INNER DIVIDER	2
4	AST19153	CLAMP, STABILIZER	2
5	10087	BOLT, 1/4" X 3/4" HEX GR5 ZINC	6
6	10626	WASHER, 1/4" FLAT ZINC	6
7	14682	PIPE, 4" SEPTIC/CISTERN SUPPORT PVC	2
8	19465	ACT, CISTERN SHIPPING COVER	2
9	SJ10937	WASHER, 3/8" FLAT ZINC	8
10	10089	BOLT, 3/8" X 1" HEX GR 5 ZINC	4
11	14676	LABEL, CAUTION SEPTIC	1
12	10007	BOLT, 3/8" X 2" HEX GR 5 ZINC	4



REV	DESCRIPTION	BY / DATE	CCN	DRAWN / DATE ADH 12/14/16	MATERIAL
				APPRD. / DATE REH 7/19/17	
ALL DIMENSIONS ARE IN DECIMAL INCHES TOLERANCES UNLESS OTHERWISE SPECIFIED		THIRD ANGLE PROJECTION ANSI 14.5M		SHOT WEIGHT:	NOTES:
POLYETHYLENE		METAL DECIMAL ± .125" FRACTION ± 1/4" ANGLE ± 1°		SHIPPING WEIGHT:	
±1% @ 68°F				FINISH:	



Den Hartog INDUSTRIES, INC.

Ace Roto-Mold Injection Molding Blow Molding Sowjoy

4010 HOSPERS DRIVE S. BOX 425, HOSPERS, IOWA 51238-0425

DESCRIPTION	1000 GALLON LOW PROFILE TWO COMPARTMENT SEPTIC TANK ASSEMBLY	
SCALE	N.S.	PART NO. LPS-1000-2