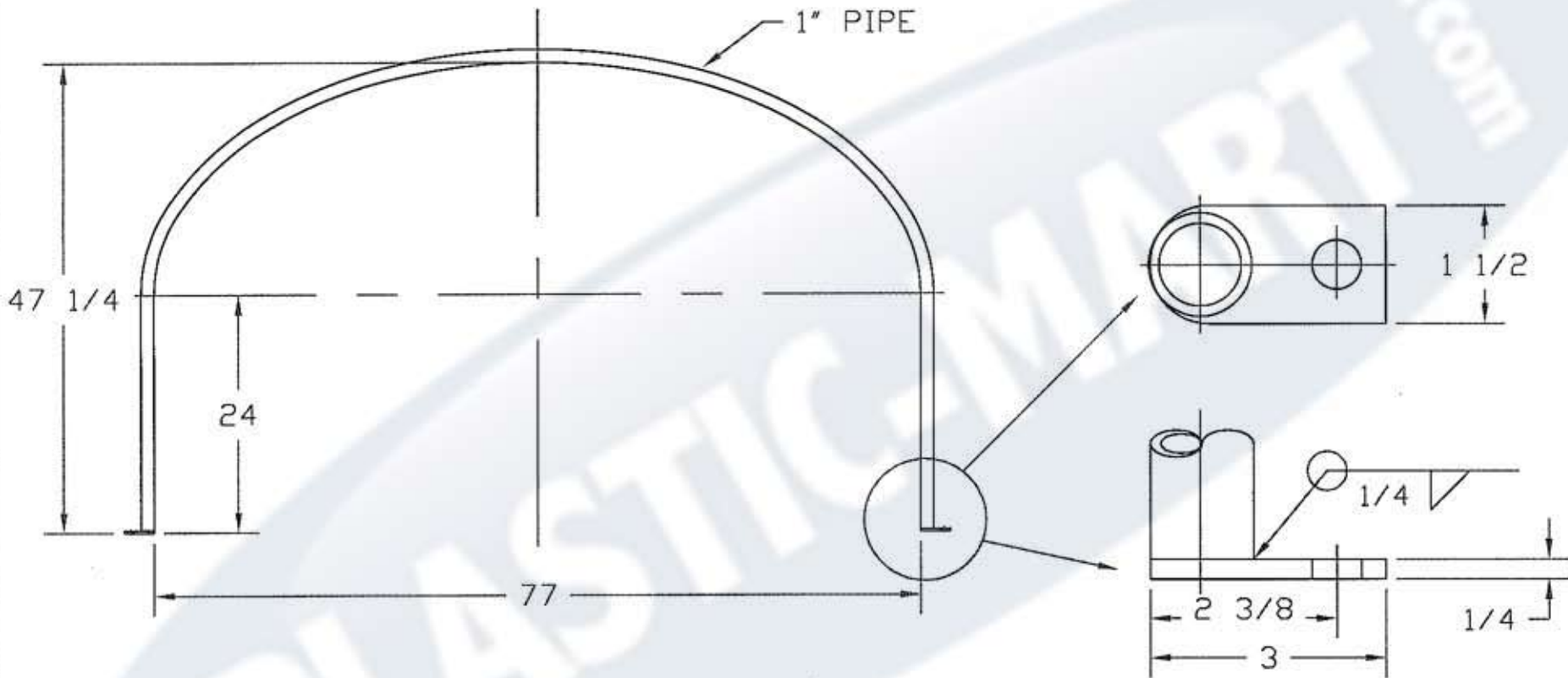


REVISIONS				
ZONE	REV	DESCRIPTION	DATE	APPROVED
	A	REDRAWN	25JUN97	



HOT-DIPPED GALVANIZED FINISH	<b>PLASTIC-MART</b>		866-310-2556	
	BAND, 1035 ELLIPTICAL LEG TANK			
JTP	25JUN97	SIZE A	FSCM NO.	DWG NO.
		SCALE 1/16		SHEET