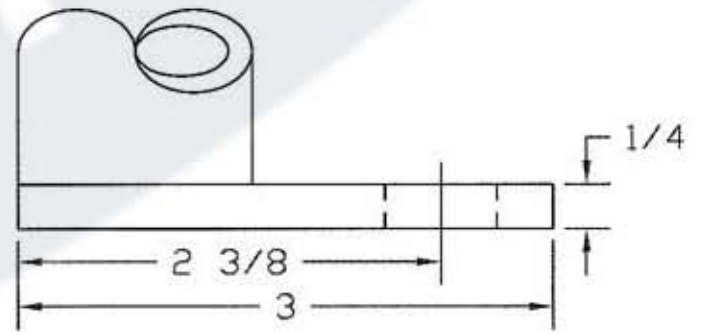
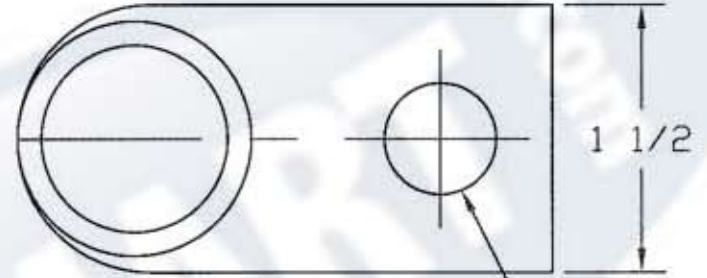
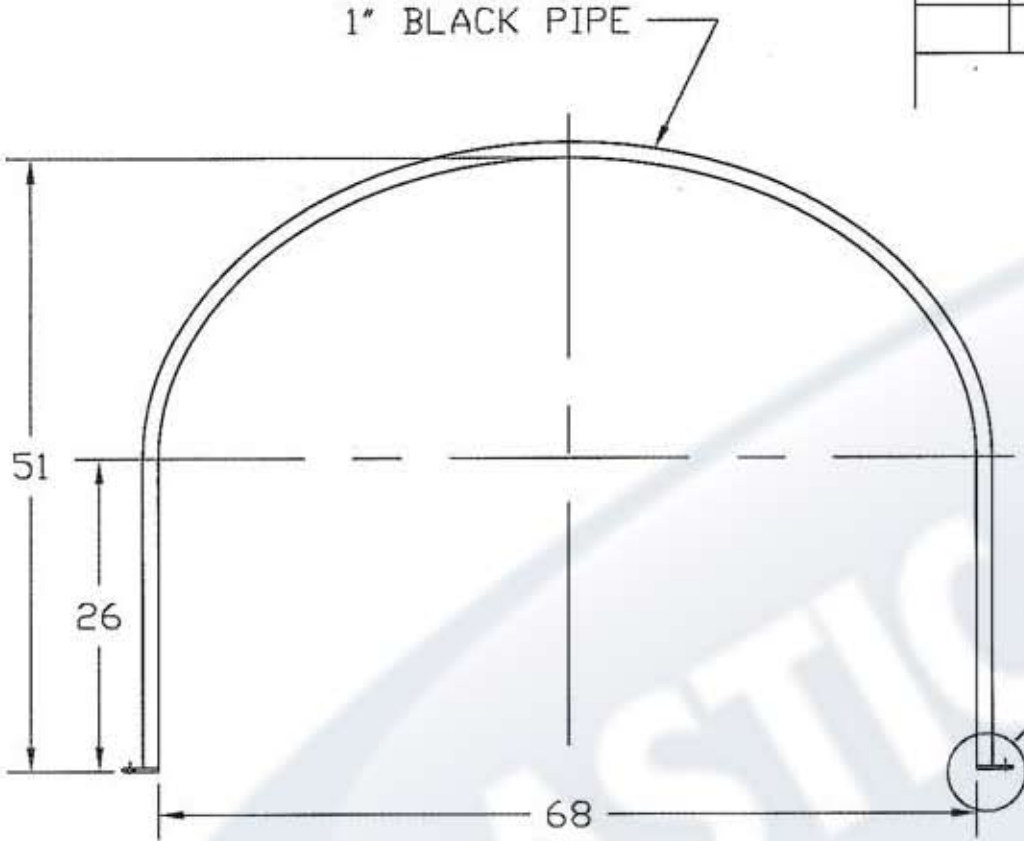


REVISIONS				
ZONE	REV	DESCRIPTION	DATE	APPROVED
	A	REDRAWN	10SEP97	



FULL SCALE DETAIL

NOTE: WELD WITH LOW HYDROGEN ROD
FINISH: HOT DIPPED GALVANIZE

PLASTIC-MART 866-310-2556

BAND, 1635 ELLIPTICAL
LEG TANK

JTP	10SEP97	SIZE A	FSCM NO.	DWG NO.	REV A
		SCALE 1/16	SHEET		