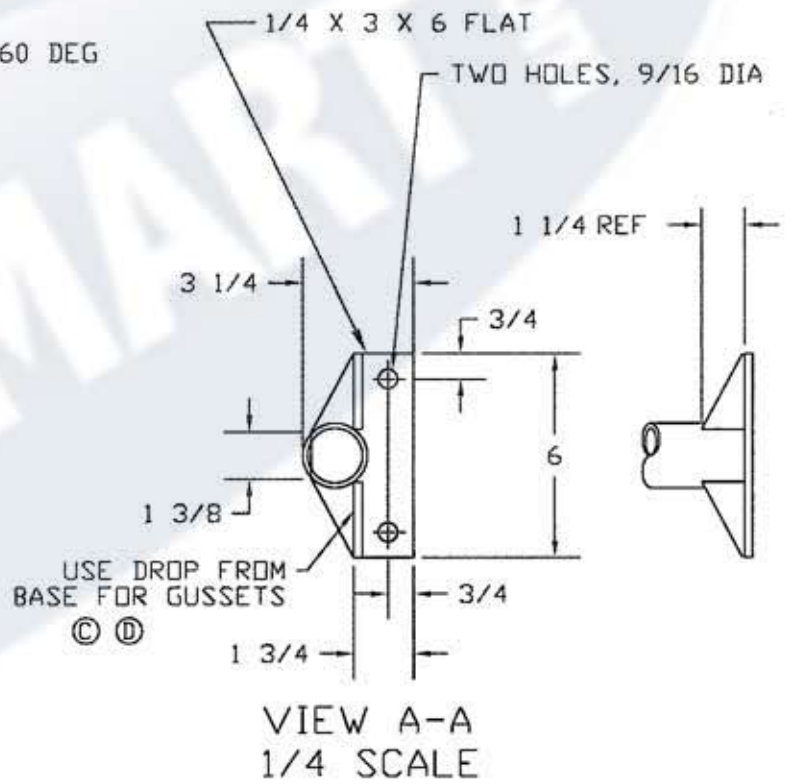
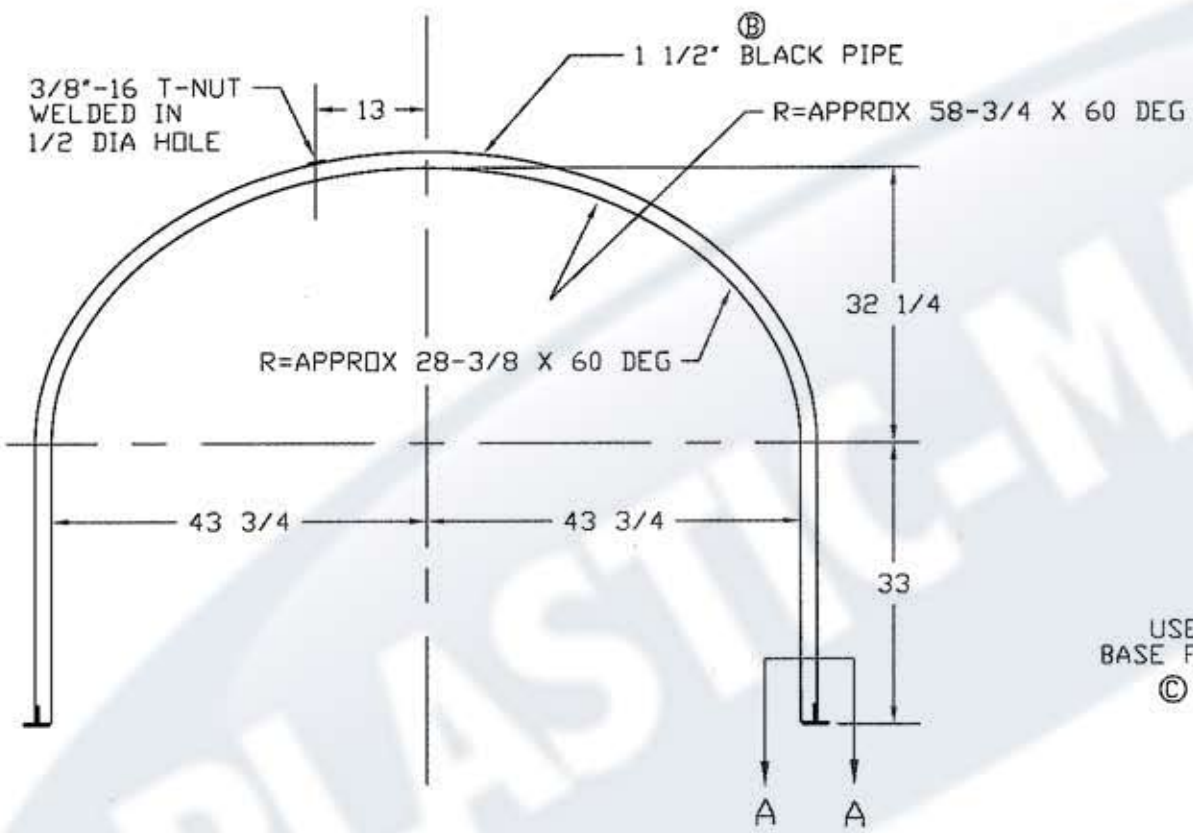


REVISIONS				
ZONE	REV	DESCRIPTION	DATE	APPROVED
	A	REVISED & REDRAWN	4MAY95	
	B	WAS 2" PIPE	21JUL97	
	C	GUSSETS ADDED	29JAN98	
	D	GUSSETS REVISED	19OCT98	



FINISH: HOT-DIPPED GALVANIZED

		<b>PLASTIC-MART I</b>		866-310-2556	
BAND, 2635 ELLIPTICAL TANK					
JTP	4MAY95	SIZE B	FSCM NO.	DWG NO.	REV D
SCALE 1/16				SHEET	