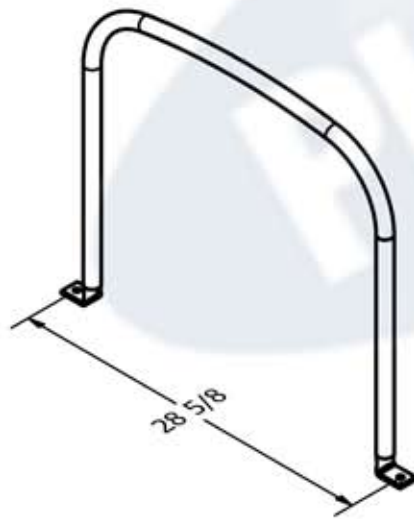
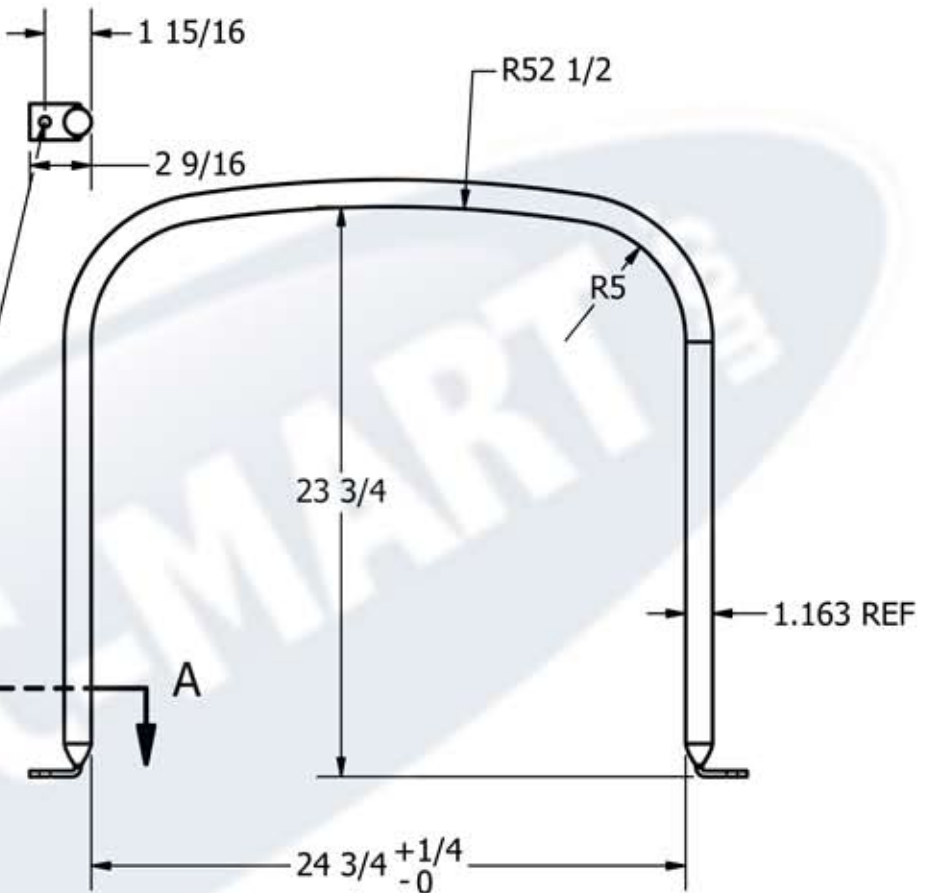





SECTION A-A
SCALE 1:8

(2) HOLES, 7/16 DIA.



MAT'L: 1" ELECTRICAL METALLIC TUBING (EMT)

DRAWN Jerry Paulson	2/21/2008		866-310-2556	
CHECKED			TITLE	
QA		HOOP, 100 GALLON FLAT BOTTOM UTILITY TANK		
MFG		SIZE		
APPROVED		A	DWG NO	REV
			63552	
		SCALE: 1/8	SHEET 1 OF 1	