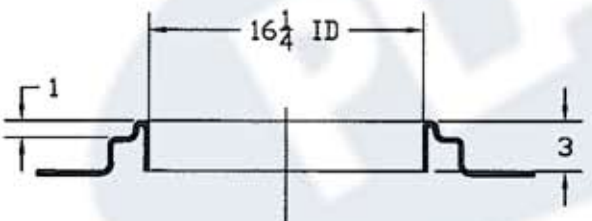
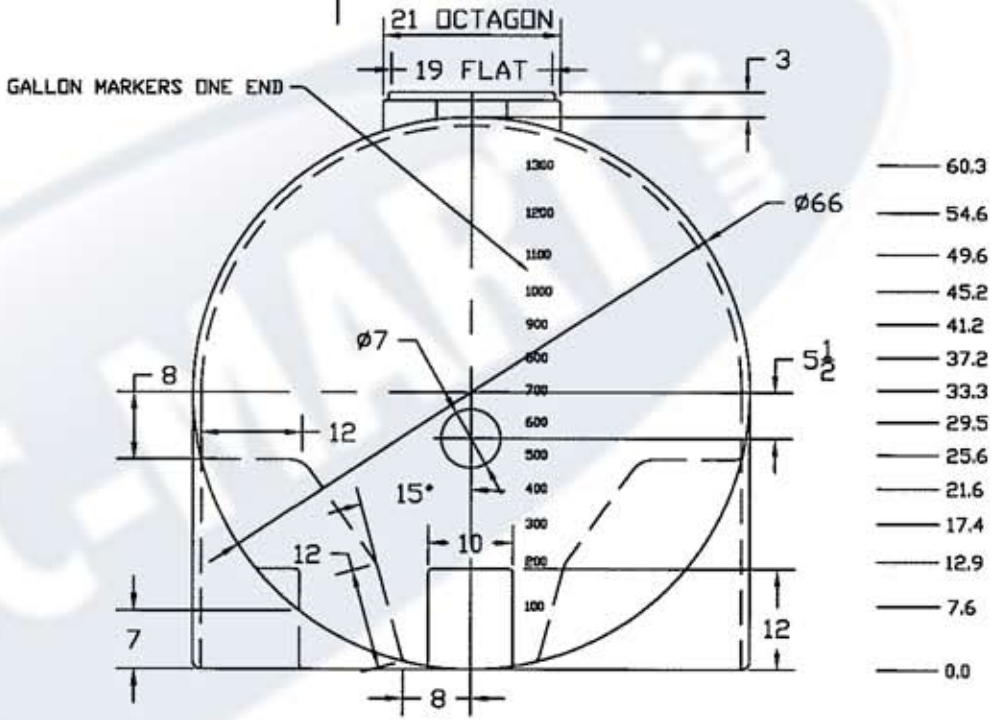
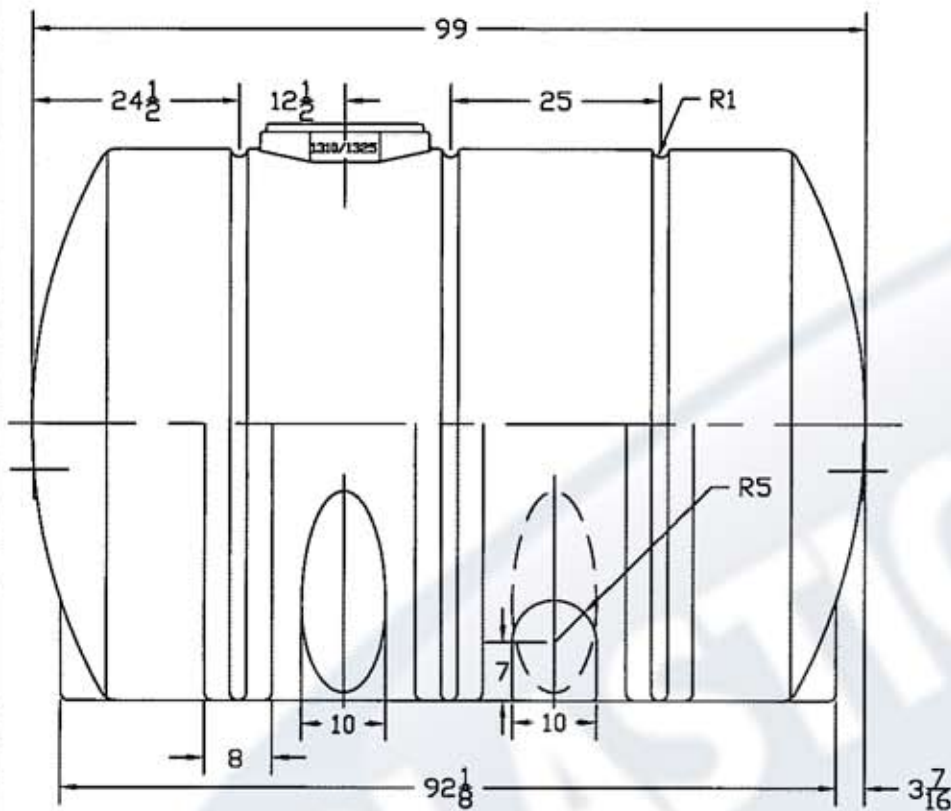


| REVISIONS | | | | |
|-----------|-----|-------------|------|----------|
| ZONE | REV | DESCRIPTION | DATE | APPROVED |
| | | | | |



FILLWELL DETAIL - 1/8" SCALE

| | | | | |
|-------------|----------|---------------------------------|------------------|--------------|
| JTP 04AUG03 | | | | 866-310-2556 |
| | | 1325 GALLON HORIZONTAL LEG TANK | | |
| SIZE B | FSCM NO. | DWG NO. | SCALE 1/16 SHEET | |