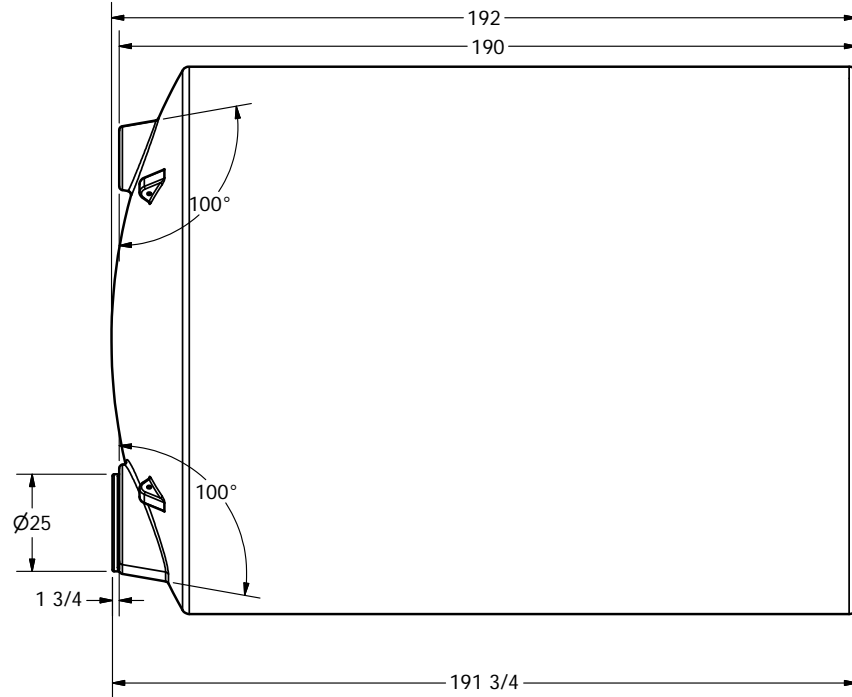
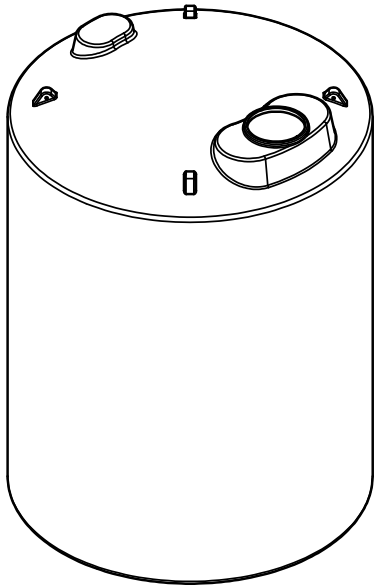
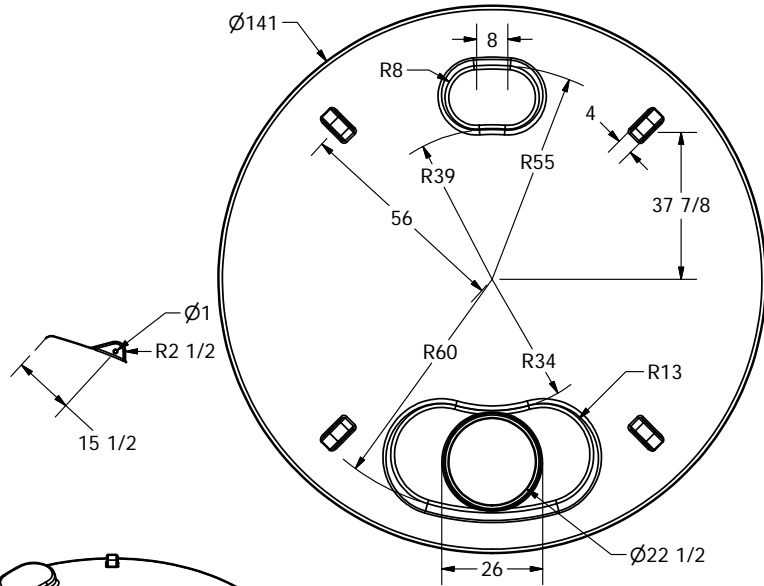



REV	DESCRIPTION	DATE	AUTHOR
A	LID REVISED TO 22"	3/5/2013	Jerry Paulson



FOB:
 WASHINGTON COURT HOUSE, OH
 SAINT BONIFACIUS, MN

DRAWN Jerry Paulson	4/19/2011	 NORWESCO, INC., ST. BONIFACIUS, MN		
CHECKED				
QA		TITLE		
MFG		12,000 GALLON VERTICAL INDUSTRIAL TANK		
APPROVED				
		SIZE B	DWG NO	REV A
		SCALE: 1/16	SHEET 1 OF 1	