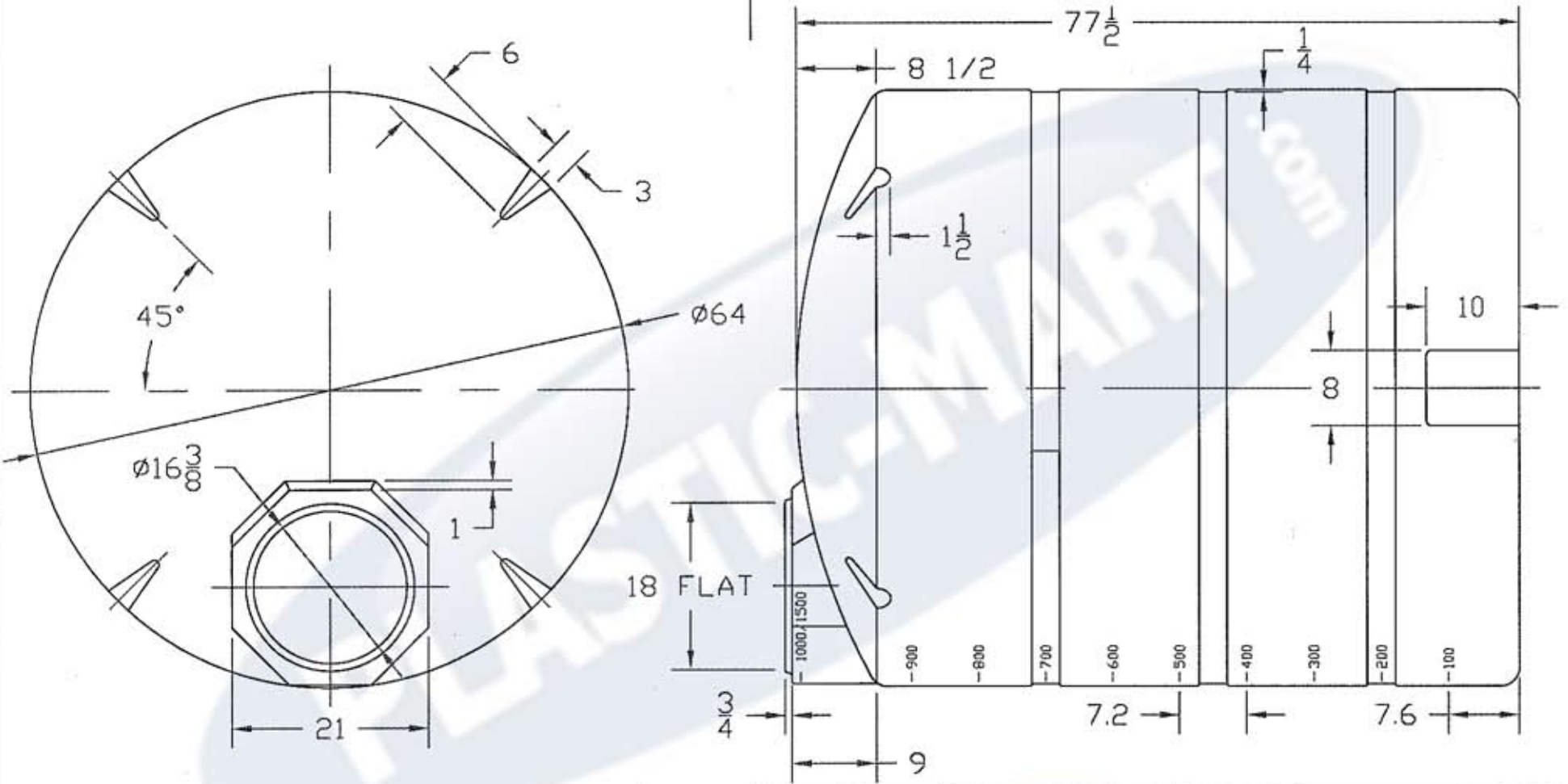


REVISIONS				
ZONE	REV	DESCRIPTION	DATE	APPROVED
	A	REDRAWN	09JAN97	



		<b>PLASTIC-MART</b>		866-310-2556	
		1000 GALLON VERTICAL TANK			
JTP	09JAN97	SIZE A	FSCM NO.	DWG NO.	REV A
		SCALE 1/16		SHEET	