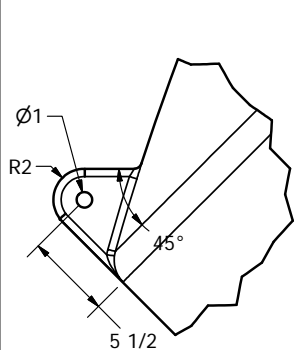
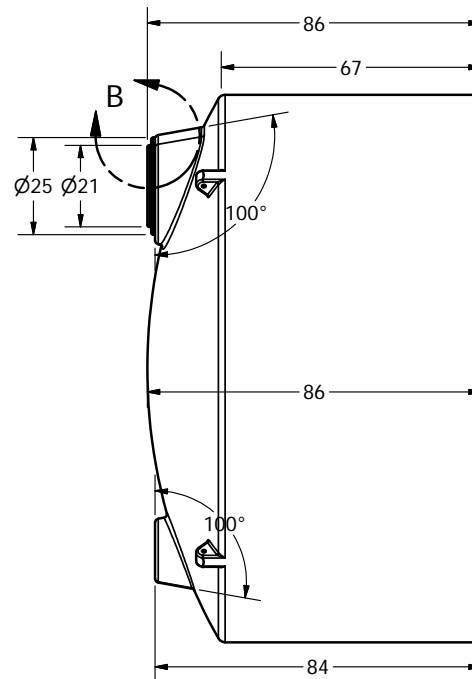
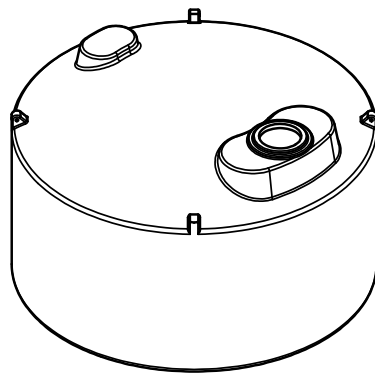



DETAIL B
SCALE 1 / 8



DETAIL A
SCALE 1 / 8



FOB FAIRFIELD TX

| | | | | |
|------------------------|-----------|--|--------------|-----|
| DRAWN Jerry Paulson | 2/14/2012 |  NORWESCO, INC. SAINT BONIFACIUS, MN | | |
| CHECKED | | | | |
| QA | | TITLE | | |
| MFG | | 5000 GALLON X 141 DIAMETER TANK | | |
| APPROVED | | | | |
| | | SIZE B | DWG NO | REV |
| | | SCALE: 1/16 | SHEET 1 OF 1 | |