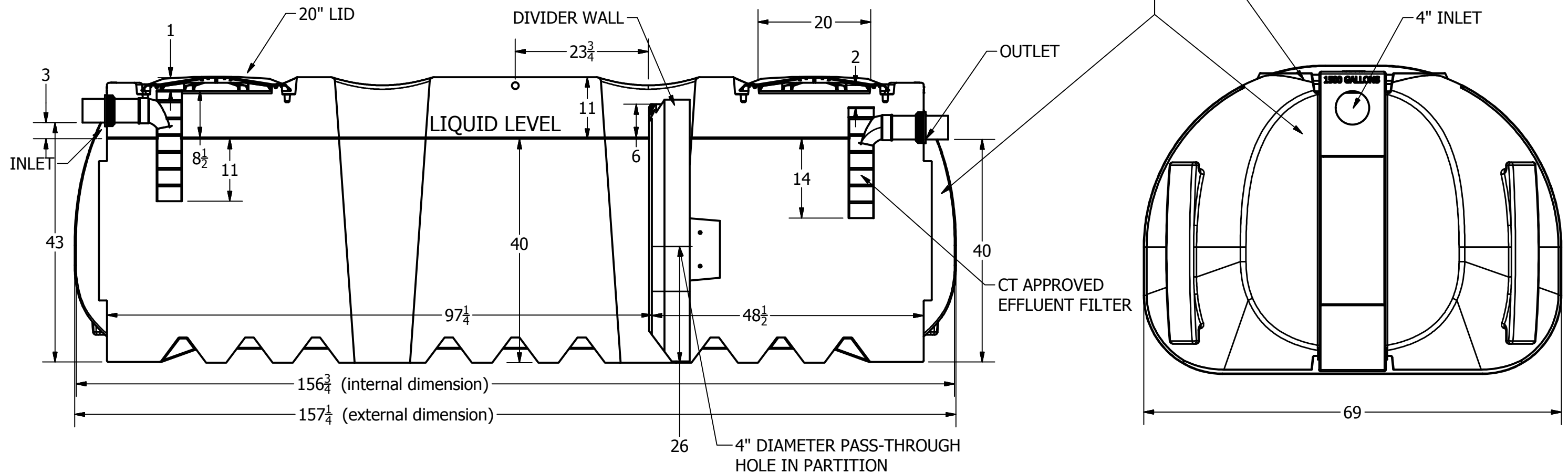


MATERIAL: HIGH-DENSITY POLYETHYLENE
 WALL THICKNESS: TANK WALL - .250"
 DIVIDER WALL - .19"


ZONE		REV	REVISION HISTORY	DATE	APPROVED
			DESCRIPTION		

SERIAL NUMBER EMBOSSSED HERE
 CAN BE REFERENCED TO THE
 DATE OF MANUFACTURE

NORWESCO, INC.
 ST. BONIFACIUS, MN
 1500 GALLON CAPACITY
 MAX. EARTH COVER 3.0 FT



OPERATING VOLUME: PRIMARY COMPARTMENT: 1006 GALLONS
 OPERATING VOLUME: SECONADARY COMPARTMENT: 498 GALLONS

DRAWN Todd Bolzer	5/8/2012	 NORWESCO, INC., ST. BONIFACIUS, MN TITLE		
CHECKED				
QA		1500 GALLON LOW PROFILE SEPTIC TANK - IAPMO		
MFG				
APPROVED		SIZE B	DWG NO	REV
		SCALE: 1/16	SHEET 1 OF 1	