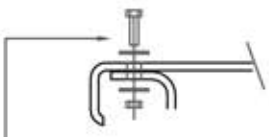
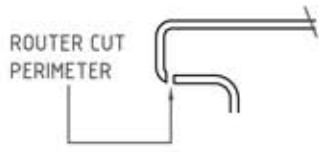
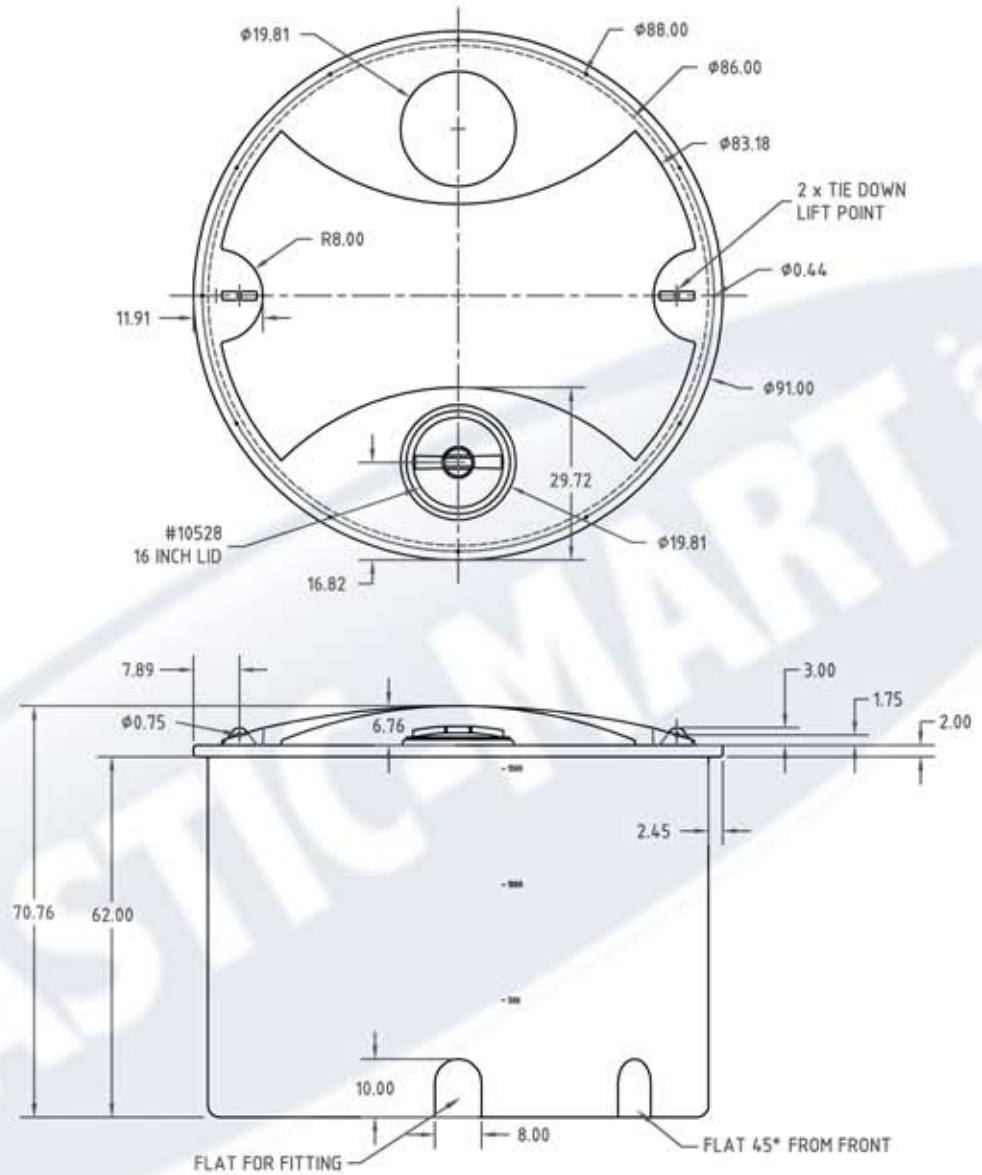


DEN HARTOG INDUSTRIES, INC.
 Copyright. All information furnished within this document, electronic file or design correspondence is the property of Den Hartog Industries, Inc. and shall not be used, disclosed to others or copied without the expressed written consent of Den Hartog Industries, Inc.

LID TRIM AND FASTENING DETAIL



3/8" X 1-1/2" HEX BOLT, 3/8" FLATWASHERS AND HEX NUT 12 PLACES



REV	DESCRIPTION	BY / DATE	CCN
ALL DIMENSIONS ARE IN DECIMAL INCHES TOLERANCES UNLESS OTHERWISE SPECIFIED			
POLYETHYLENE		METAL DECIMAL ± .125" FRACTION ± 1/4" ANGLE ± 1°	

DRAWN / DATE	DHJ 4/29/11
APPRD. / DATE	REH 5/10/11
MATERIAL	10420
SHOT WEIGHT:	250 LBS.
SHIPPING WEIGHT:	252 LBS.
FINISH:	
NOTES:	1. .270 THICK AT FITTING

866-310-2556

DESCRIPTION	1510 GALLON OPEN TOP TANK
SCALE	N.S.
PART NO.	OP1510-86