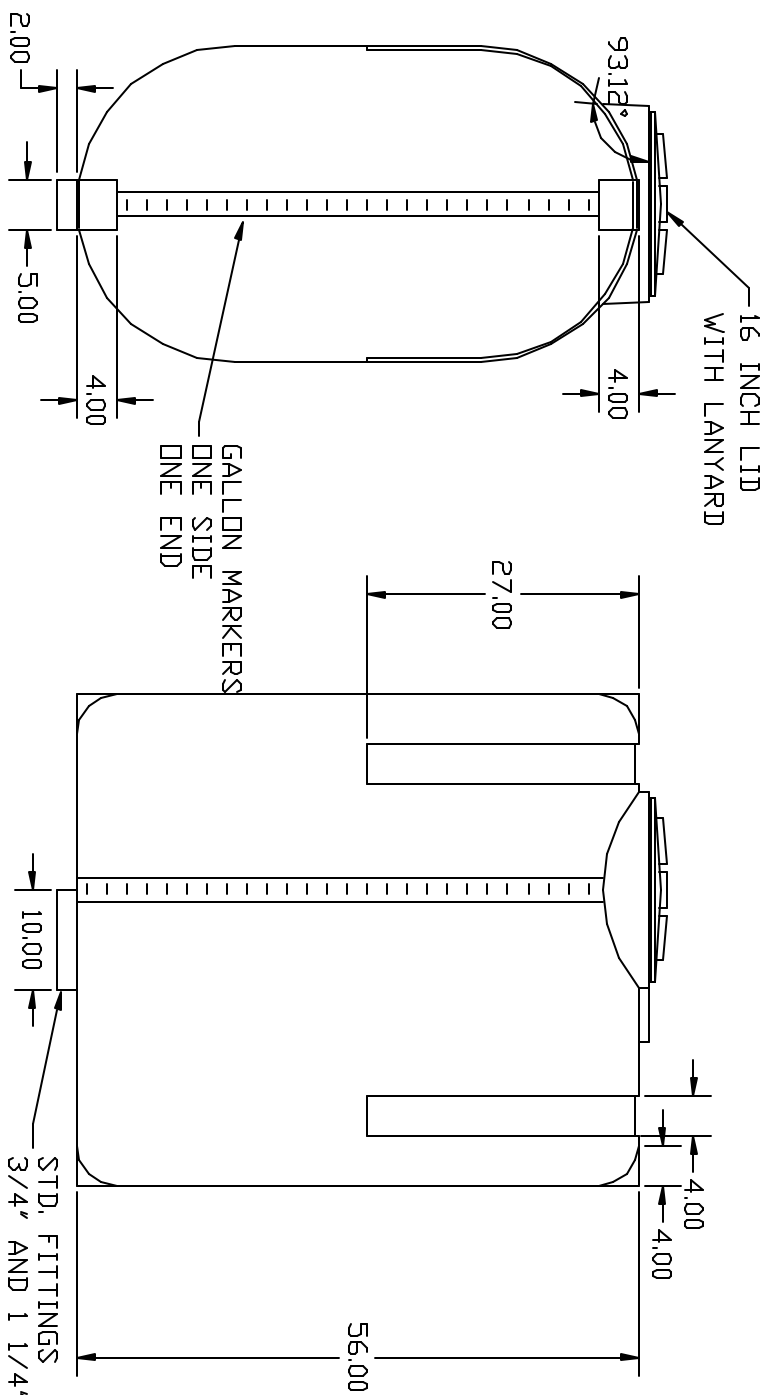
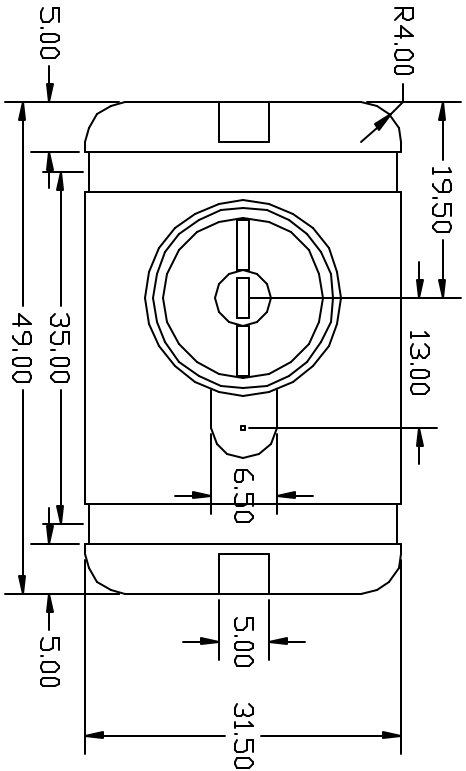


PROPRIETARY DATA

PROPERTY OF ACE ROTO-MOLD MFG. INC. INFORMATION FURNISHED HEREON IS THE PROPERTY OF ACE ROTO-MOLD MFG. INC. AND SHALL NOT BE REPRODUCED, COPIED, OR CITED WITHOUT THE EXPRESS WRITTEN CONSENT OF ACE ROTO-MOLD MFG. INC. ALL RIGHTS RESERVED.

OT1300-31

A



GALLON MARKERS
ONE SIDE
ONE END

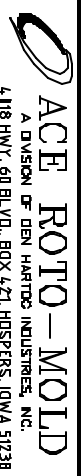
16 INCH LID
WITH LANYARD

| | | | |
|-----|-----------------|---------|--------|
| REV | DESCRIPTION | DATE | APPROD |
| A | WEIGHT 110 LBS. | 7/28/13 | |

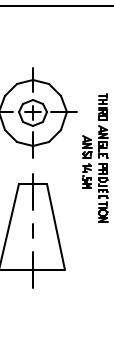
| | |
|----------------|-------------|
| DRAWN / DATE | DHL 2/21/13 |
| APPROD. / DATE | |

| | |
|----------|--|
| MATERIAL | HOPK OR EQUIVALENT REFER TO MATERIAL DATA SHEET FOR SPECIFIC PROPERTIES. |
|----------|--|

| | |
|----------------------|----------------------|
| CLIENT / DESCRIPTION | 300 GALLON OVAL TANK |
|----------------------|----------------------|



ALL DIMENSIONS ARE IN DECIMAL INCHES
TOLERANCES UNLESS OTHERWISE SPECIFIED



NOTES:
1. 26 WALL
2. SHOT WEIGHT 110 LBS.

| | | | |
|-------|------|----------|-----------|
| SCALE | N.S. | PART NO. | OT0300-31 |
|-------|------|----------|-----------|