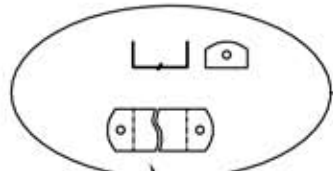


PROPRIETARY DATA

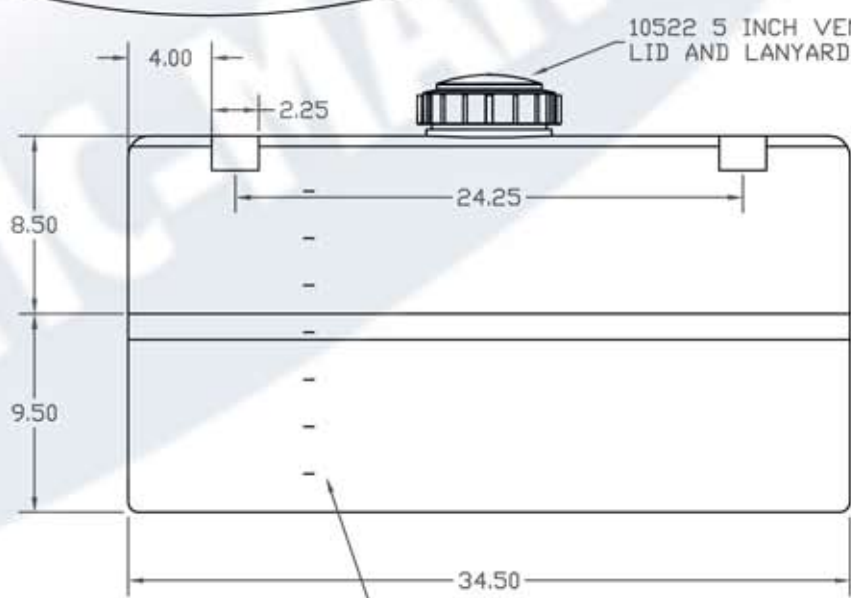
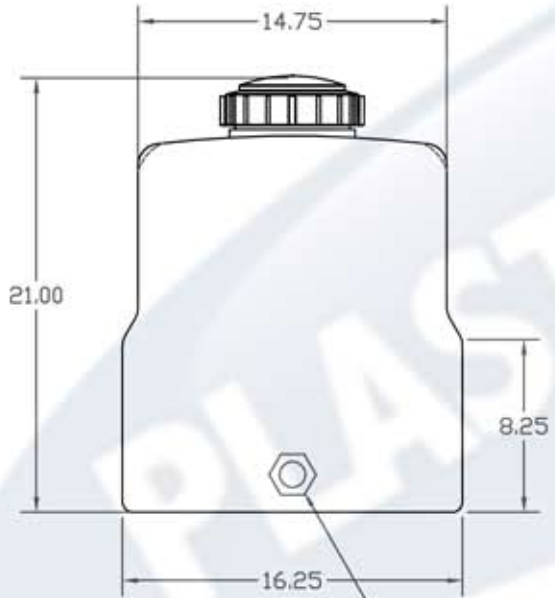
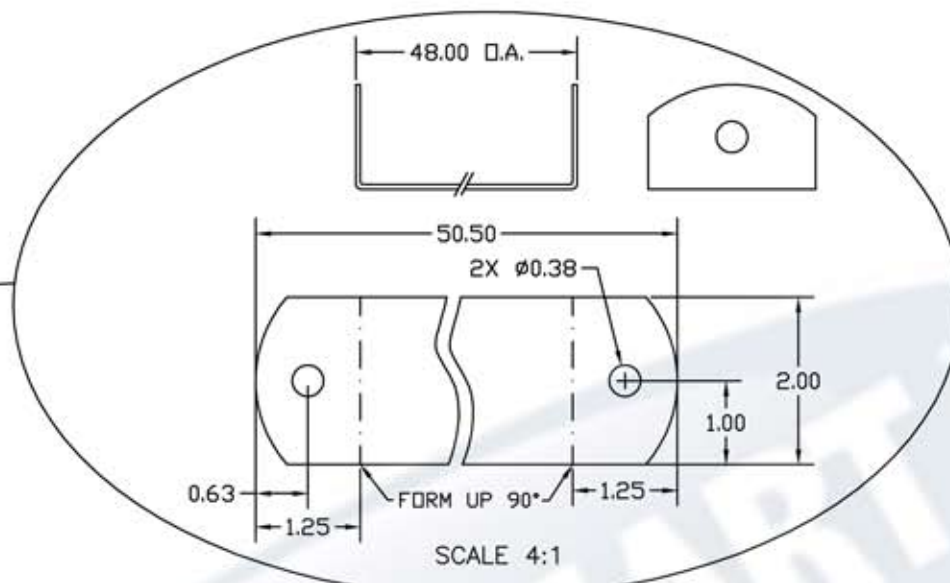
PC0035-16

B

PROPERTY OF DEN HARTOG INDUSTRIES, INC. INFORMATION FURNISHED HEREIN IS THE PROPERTY OF DEN HARTOG INDUSTRIES, INC. AND SHALL NOT BE USED, DISCLOSED TO OTHERS, OR COPIED WITHOUT THE EXPRESSED WRITTEN CONSENT OF DEN HARTOG INDUSTRIES, INC. ALL RIGHTS RESERVED.



OPTIONAL BANDS
2 REQUIRED
PN PC0035-SB
3 LB PER PAIR



1" B.H. FITTING IS STANDARD

MARKED IN GALLONS AND LITERS

B	BAND REDRAWN	8/2/06	NVE
A	ADD BANDS	5/3/05	
REV	DESCRIPTION	DATE	APPRD

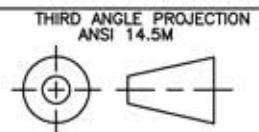
DRAWN / DATE	DHJ 5/3/05
MATERIAL	TANK: HDPE OR EQUIVALENT BAND: 18GA STAINLESS STEEL
APPRD. / DATE	

CLIENT / DESCRIPTION	35 GALLON PCO TANK AND BAND
SCALE	N.S.
PART NO.	PC0035-16



866-310-2556

ALL DIMENSIONS ARE IN DECIMAL INCHES
TOLERANCES UNLESS OTHERWISE SPECIFIED
± 1% @ 68° F



NOTES:
1. TANK NOM. WALL Ø 0.250
2. TANK SHOT WEIGHT 24 LBS.