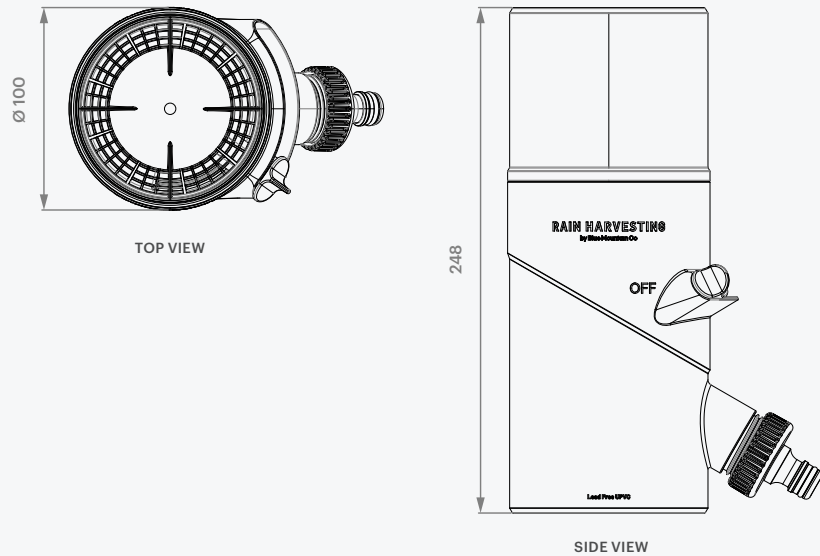


PRODUCT DIMENSIONS



ALL DIMENSIONS IN MM UNLESS OTHERWISE STATED.

Pipe Fitment

DDIV01	DN90 F (Socket)	90mm pipe fits inside
DDIV201	DN65 F (socket)	65mm pipe fits inside
	DN80 F (socket)	80mm pipe fits inside
	DN90 F (socket)	90mm pipe fits inside
DDIV101	3" Sch40 F (socket)	3" Sch40 pipe fits inside
	3" SDR35 F (socket)	3" SDR35 pipe fits inside

DISCLAIMER This product specification is not a complete guide to product usage. Further information is available from Rain Harvesting Pty Ltd and from the Installation and Operating Instructions. This specification sheet must be read in conjunction with the Installation and Operating Instructions and all applicable statutory requirement. Product specifications may change without notice. © Rain Harvesting Pty Ltd.

RAIN HARVESTING
by Blue Mountain Co

+61 (0)7 3248 9600

rainharvesting.com.au

RAIN HARVESTING
by Blue Mountain Co

Downpipe Diverter (Inline) Round



Installation and Specification Guide

PRODUCT DETAILS

The Downpipe Diverter Inline captures a high proportion of the water flowing through your downpipes, while filtering leaves and debris – giving you lots of great quality rainwater.

DDIV01	90mm
DDIV201	65mm / 80mm / 90mm
DDIV101	3in

FEATURES AND BENEFITS

- Collect up to 600 L/hour (150 gal/hr) using a 12mm (½") garden hose or up to 1200 L/hour (300 gal/hr) using a high flow 32mm (1¼") hose
- On/Off switch gives you control over your system
- Simple installation onto your downpipes

Installation

WHAT'S IN THE BOX?

- Downpipe Diverter
- 12mm (½") garden hose fitting and seal
- 32mm (1¼") hose fitting and seal

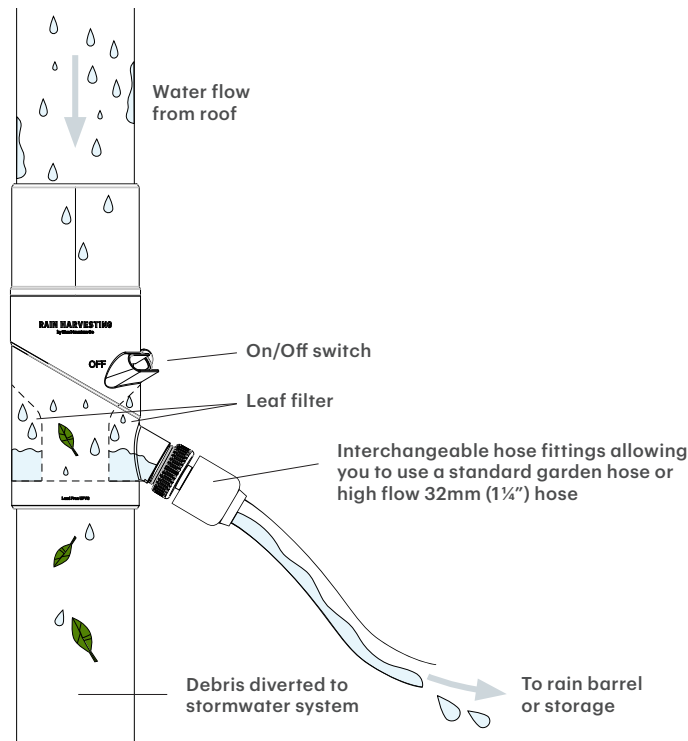
Your kit may include international adaptors:

- 80mm Top Pipe Adaptor (NZ)
- 80mm Base Pipe Adaptor (NZ)
- 65mm Pipe Adaptor x 2 (NZ)
- 3" SDR35 Adaptor x 1 (USA)

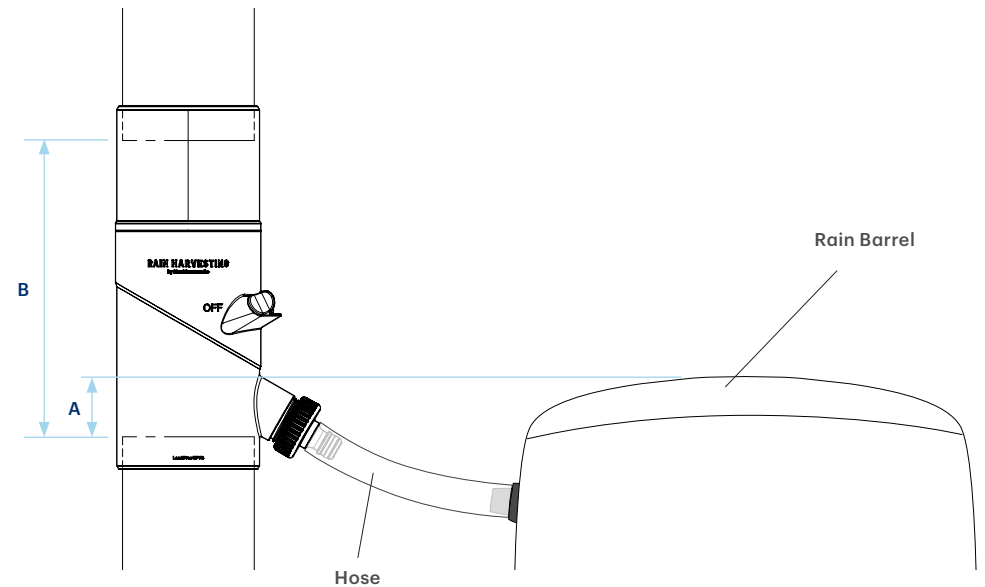
TOOLS/MATERIALS YOU MAY REQUIRE

- Tape measure
- Marker pen
- Saw
- Spirit level
- Solvent cement glue

HOW IT WORKS



INSTALLATION



1. Select a position to install your downpipe diverter which will allow a smooth path for the hose to your barrel. If you are using the inlet hose to limit the height of water within your barrel, ensure the outlet is below the top of the rain barrel. Mark the lower cut point (A).

90mm Downpipe	Mark the pipe at 75mm below the top of the rain barrel
80mm Downpipe	Mark the pipe at 100mm below the top of the rain barrel
65mm Downpipe	Mark the pipe at 100mm below the top of the rain barrel
3" Sch40 and SDR35 Downpipe	Mark the pipe at 75mm below the top of the rain barrel

2. Then mark the top cut, and remove the section of pipe (B). Ensure all cut edges are clean and smooth.

90mm Downpipe	210mm above the bottom cut
80mm Downpipe	230mm above the bottom cut
65mm Downpipe	270mm above the bottom cut
3" Sch40 and SDR35 Downpipe	210mm above the bottom cut

3. Determine whether the Flow Diverter will be used to maximum water capture. If you have a rainhead or gutter mesh upstream to filter out large debris, the Flow Diverter is recommended. If you have no upstream rainhead or gutter mesh, do not use the Flow Diverter. You will still catch a high flow of water. The Flow Diverter snaps in/out of the Upper Slip Coupling.

INSTALLATION

4. Installing the Downpipe Diverter:

90mm / 3" Sch40 Downpipe

- Slide the Upper Slip Coupling onto the upper section of cut pipe until it bottoms out (no glue required).
- Holding the Upper Slip Coupling in place, insert the Downpipe Diverter onto the pipe (no glue required). Then lower the Upper Slip Coupling back into position.

80mm Downpipe

- Glue the 80mm Base Pipe Adaptor onto the lower pipe. The Downpipe Diverter will sit on this.
- Insert the 80mm Top Pipe Adaptor onto the Upper Slip Coupling (no glue required).
- Slide the Upper Slip Coupling (with 80mm Top Pipe Adaptor in place) onto the upper section of cut pipe until it bottoms out (no glue required).
- Holding the Upper Slip Coupling in place, insert the Downpipe Diverter onto the 80mm adaptor (no glue required). Then lower the Upper Slip Coupling back into position.

65mm Downpipe

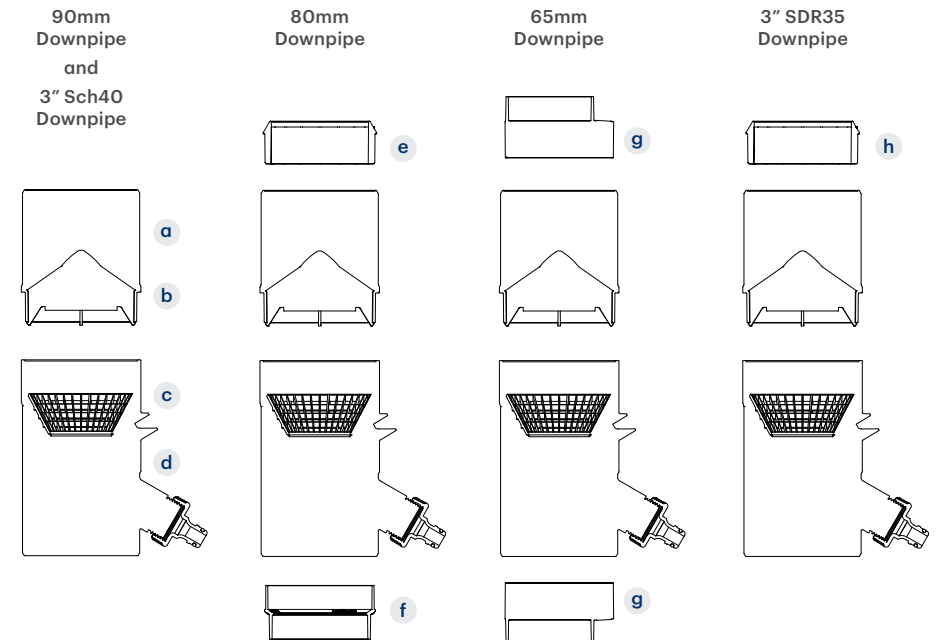
- Glue a 65mm Pipe Adaptor onto the lower pipe. Position the flat side of the adaptor against the wall so it does not push your downpipe out. The Downpipe Diverter will sit on this.
- Glue a 65mm Pipe Adaptor onto the upper pipe. Position the flat side of the adaptor against the wall so it does not push your downpipe out.
- Slide the Upper Slip Coupling onto the upper 65mm adaptor until it bottoms out (no glue required).
- Holding the Upper Slip Coupling in place, insert the Downpipe Diverter onto the bottom 65mm adaptor (no glue required). Then lower the Upper Slip Coupling back into position.

3" SDR35 Downpipe

- Glue the SDR35 Adaptor onto the upper pipe.
- Slide the Upper Slip Coupling up and over the SDR35 Adaptor until it bottoms out (no glue required).
- Holding the Upper Slip Coupling in place, insert the Downpipe Diverter onto the lower 3" SDR35 pipe (no glue required). Then lower the Upper Slip Coupling back into position.

- Rotate the nozzle to the required direction.
- Screw on either the 12mm or 1¼" hose fitting onto the nozzle.
- Connect the hose to your rain barrel or rainwater tank as required.

PRODUCT ASSEMBLY



- Upper Slip Coupling
- Flow Diverter
- Filter
- Downpipe Diverter

- Upper 80mm Adaptor
- Lower 80mm Adaptor
- 65mm Adaptor
- 3in SDR35 Adaptor

MAINTENANCE

For the best performance, check your downpipe diverter periodically by lifting the slip coupling up to remove and leaves which might have become lodged on the Filter.

The body of the Downpipe Diverter and the Filter can be removed easily by hand.

After cleaning the unit by brushing or hosing the filter, simply return it back into place.

The frequency of inspections will depend on the environment around you. For example, if you are in a high leaf area, inspections should occur more regularly.