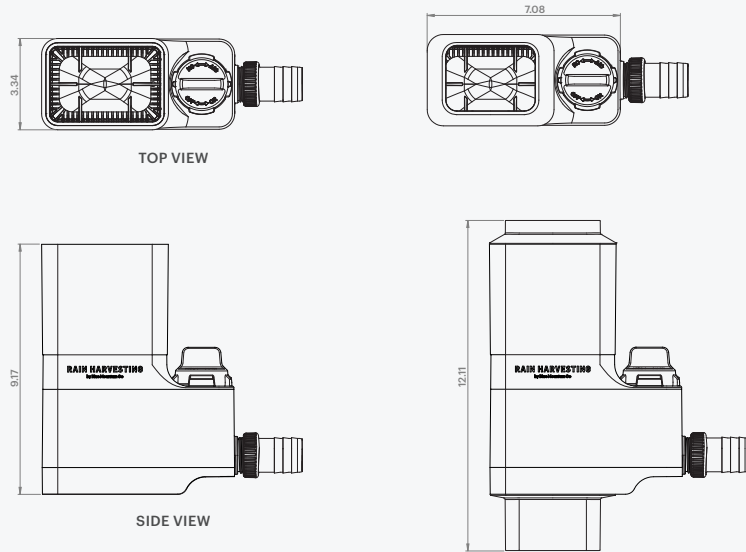


## PRODUCT DIMENSIONS



ALL DIMENSIONS IN INCHES UNLESS OTHERWISE STATED.

### Pipe Fitment

DDIV104	2"x 3" Socket - Slip fit
	3"x 4" Socket - Slip fit

**DISCLAIMER** This product specification is not a complete guide to product usage. Further information is available from Rain Harvesting Pty Ltd and from the Installation and Operating Instructions. This specification sheet must be read in conjunction with the Installation and Operating Instructions and all applicable statutory requirement. Product specifications may change without notice. © Rain Harvesting Pty Ltd.

**RAIN HARVESTING**  
by Blue Mountain Co

+61 (0)7 3248 9600

[rainharvesting.com.au](http://rainharvesting.com.au)

**RAIN HARVESTING**  
by Blue Mountain Co

# Downpipe Diverter (Inline) Rectangle



## Installation and Specification Guide

### PRODUCT DETAILS

The Downpipe Diverter Inline captures the water flowing through your downpipes, while filtering leaves and debris – giving you lots of great quality rainwater.

DDIV104 2x3" / 3x4"

### FEATURES AND BENEFITS

- Collect up to 150 gal/hr using a ½" garden hose or up to 300 gal/hr using a high flow 1¼" hose
- On/Off switch gives you control over your system
- Simple installation onto your downpipes

# Installation

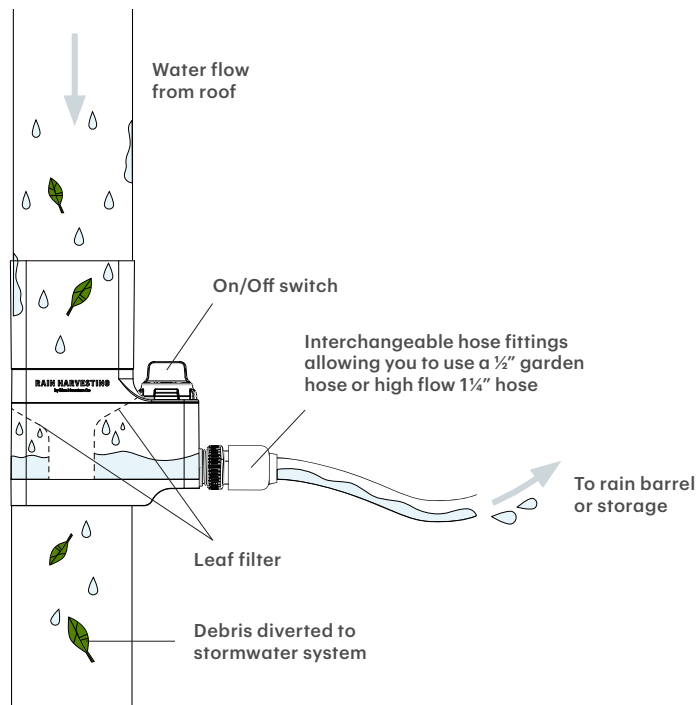
## WHAT'S IN THE BOX?

- Downpipe Diverter
- ½" garden hose fitting and seal
- 1¼" hose fitting and seal
- 2 x 3" top pipe adaptor
- 2 x 3" base pipe adaptor

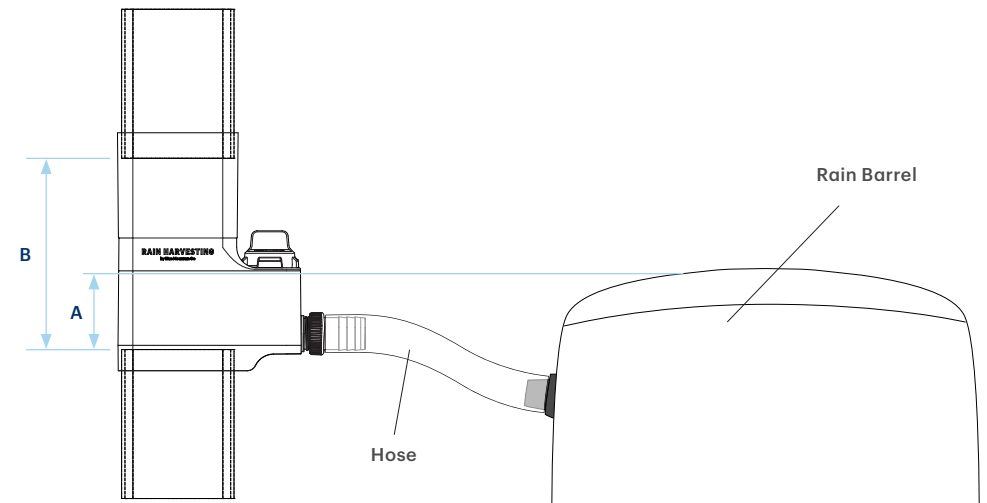
## TOOLS/MATERIALS YOU MAY REQUIRE

- Tape measure
- Marker pen
- Saw
- Spirit level

## HOW IT WORKS



## INSTALLATION



1. Select a position to install your downpipe diverter which will allow a smooth path for the hose to your barrel. If you are using the inlet hose to limit the height of water within your barrel, ensure the outlet is below the top of the rain barrel. Mark the lower cut point (A).
  - If using 3x4" pipe, A = Approx 3" (76mm)
  - If using 2x3" pipe with the included adaptor, A = 5" (127mm)
2. Then mark the top cut, and remove the section of pipe (B). Ensure all cut edges are clean and smooth.
  - If using 3x4" pipe, B = Approx 7 3/8" (187mm)
  - If using 2x3" pipe with the included adaptor, B = 9 3/8" (238mm)
3. Determine whether the Flow Diverter will be used to maximum water capture. If you have a rainhead or gutter mesh upstream to filter out large debris, the Flow Diverter is recommended. If you have no upstream rainhead or gutter mesh, do not use the Flow Diverter. You will still catch a high flow of water. The Flow Diverter snaps in/out of the Upper Slip Coupling.
4. Installing the Downpipe Diverter:
  - a. Slide the Base Adaptor onto the lower section of pipe.

---

## INSTALLATION

---

- b. Press the Top Adaptor into the Slip coupling.
- c. Slide the Slip Coupling/Top Adaptor onto the upper section of cut pipe and hold it in position.
- d. Insert the Downpipe Diverter onto the pipe (no glue required). Then lower the Slip Coupling/Adaptor back into position, sliding it into the Diverter.

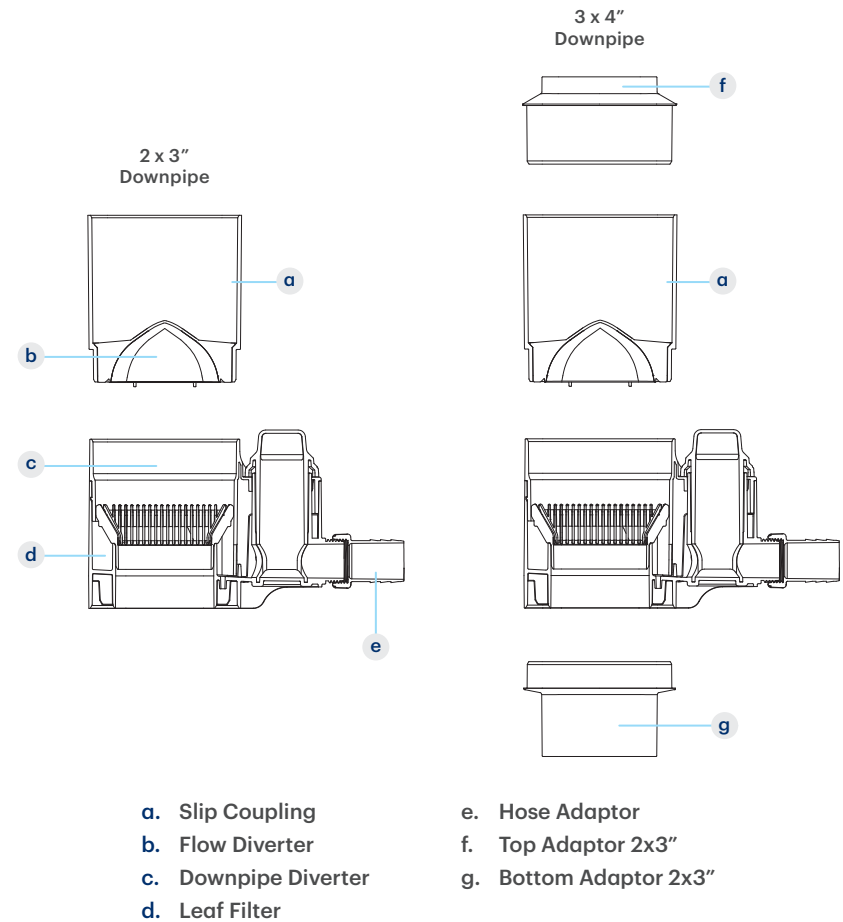
### 3 x 4" Downpipe

- a. Slide the Slip Coupling onto the upper section of cut pipe and hold it in position.
  - b. Insert the Downpipe Diverter onto the pipe (no glue required). Then lower the Slip Coupling back into position, sliding it into the Diverter.
5. Screw on either the 12mm or 1¼" hose fitting onto the nozzle.
  6. Connect the hose to your rain barrel or rainwater tank as required.

---

## PRODUCT ASSEMBLY

---



---

## MAINTENANCE

---

For the best performance, check your downpipe diverter periodically by lifting the slip coupling up to remove and leaves which might have become lodged on the Filter.

The body of the Downpipe Diverter and the Filter can be removed easily by hand.

After cleaning the unit by brushing or hosing the filter, simply return it back into place.

The frequency of inspections will depend on the environment around you. For example, if you are in a high leaf area, inspections should occur more regularly.