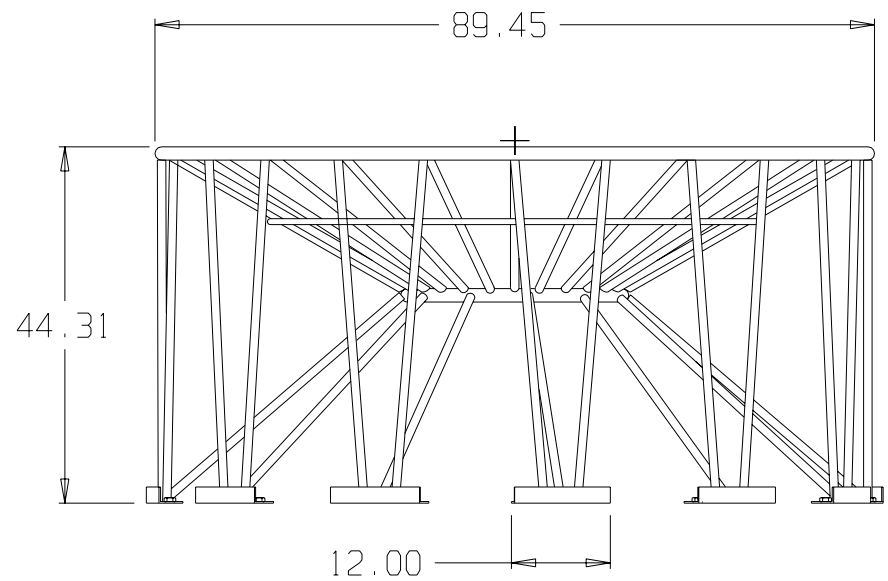
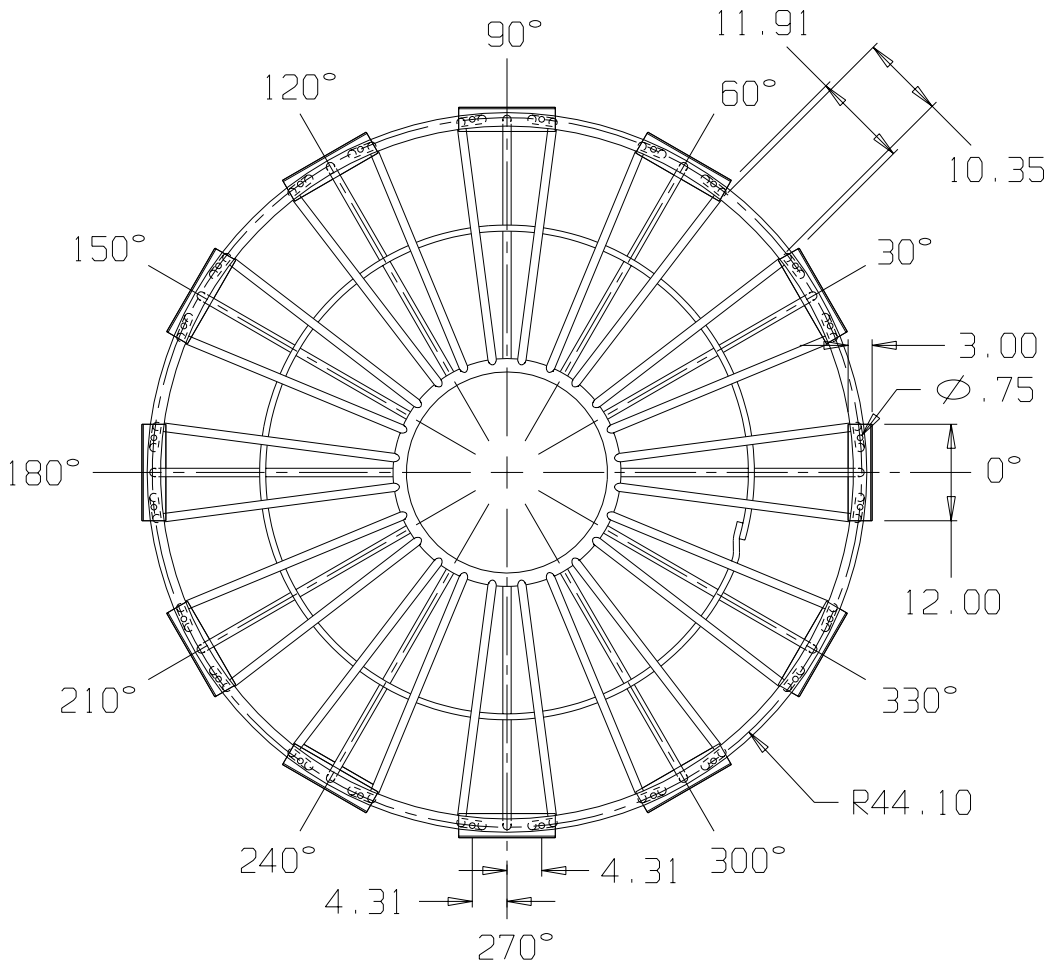


NOTE: CONSULT SII BEFORE MODIFYING ANY PART OF THIS STAND



(all dimensions in inches)

PART # STAND: 79300
(SIEMIC): 79800

REF#: 0000

05/23/02

M-SERIES 12-LEG 30° CONE STAND