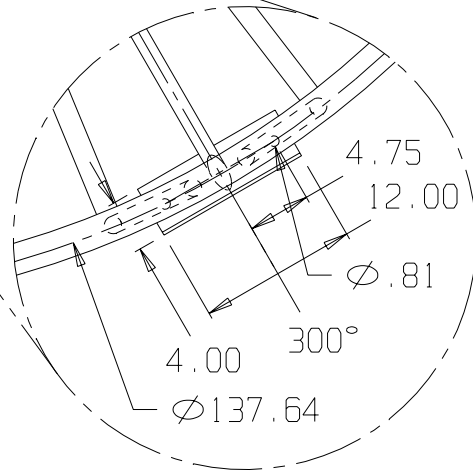


FOOTPRINT
DETAIL BELOW



(all dimensions in inches)

PART # STAND: 79500
 (SEISMIC): 79500

REF#: 0000

07/26/02

G-SERIES 12 LEG 30° CONE STAND