

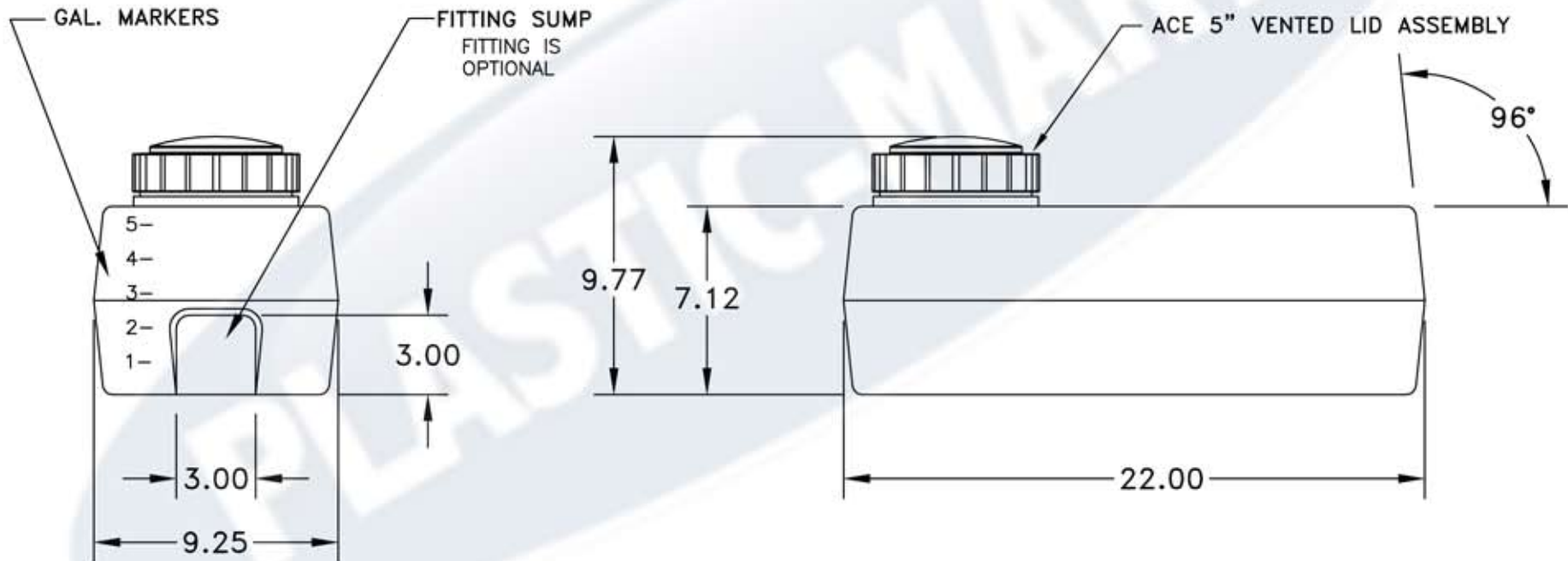
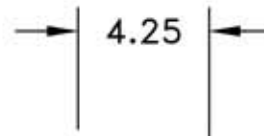
PROPRIETARY DATA

SP0005-RT

A


PROPERTY OF ACE ROTO-MOLD MFG., INC. INFORMATION FURNISHED HEREIN IS THE PROPERTY OF ACE ROTO-MOLD MFG., INC. AND SHALL NOT BE USED, DISCLOSED TO OTHERS, OR COPIED WITHOUT THE EXPRESSED WRITTEN CONSENT OF ACE ROTO-MOLD MFG., INC. ALL RIGHTS RESERVED.

NOTE: THIS PRODUCT IS NOT DESIGNED TO CONTAIN PETROLEUM PRODUCTS. CONSULT THE FACTORY REGARDING CHEMICAL COMPATABILITY



(A)

SHIPPING WEIGHT = 6LB.

		DRAWN / DATE REH/12/30/01		MATERIAL / SHOT WEIGHT				 866-310-2556	
		APPRD. / DATE DHJ/12/30/01		M111	M135	U625	P938		
A	WAS 4LB. CCN1389	7/18/07		5 LB.				CLIENT / DESCRIPTION ACE 5 GALLON RECTANGULAR TANK	
REV	DESCRIPTION	DATE	APPRD.	NOTES: 1. NATURAL COLOR				SCALE N.S.	PART NO. SP0005-RT
ALL DIMENSIONS ARE IN DECIMAL INCHES TOLERANCES UNLESS OTHERWISE SPECIFIED $\pm 2\% @ 68^\circ F$				THIRD ANGLE PROJECTION ANSI 14.5M 