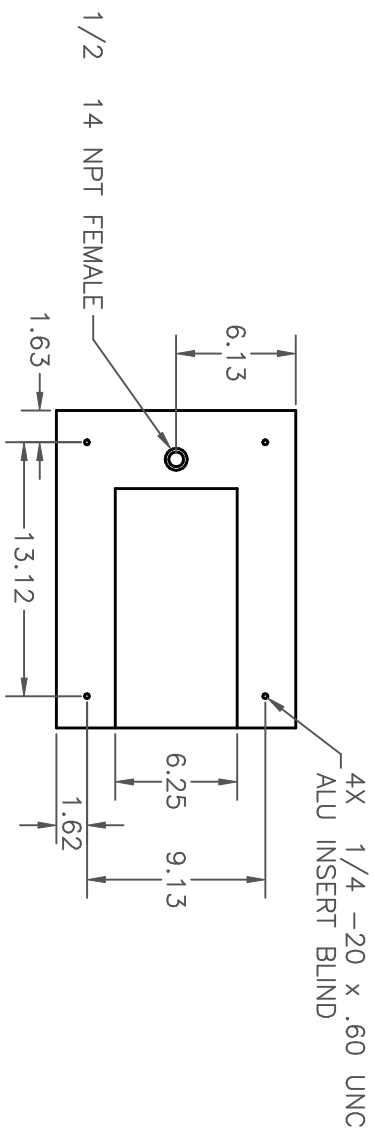
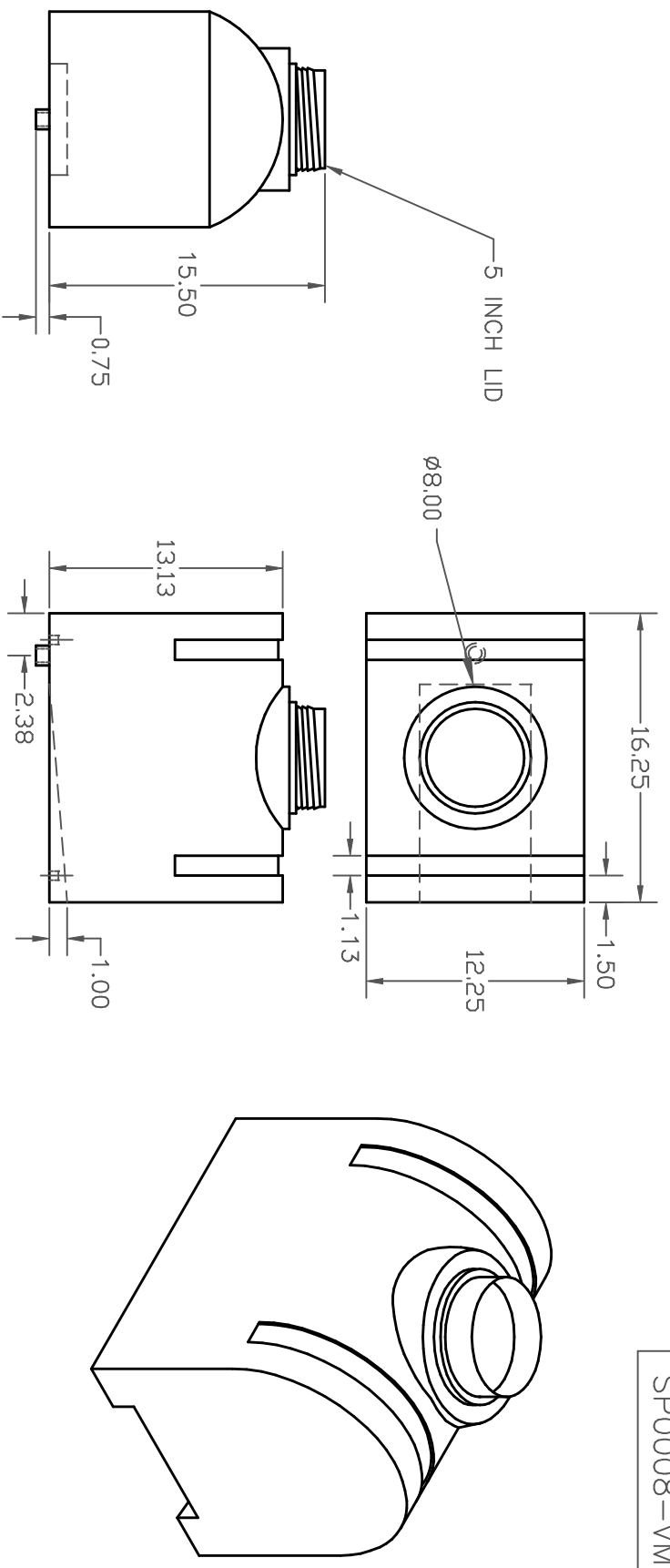



SP0008-VM



DRAWN / DATE DHJ / 1/21/04		MATERIAL / SHOT WEIGHT 6 LBS.		 Ace Roto-Mold A DIVISION OF DEN HARTOG INDUSTRIES, INC.	
APPRD. / DATE		NOTES: .150 WALL			
THIRD ANGLE PROJECTION ANSI 14.5M		SCALE NONE		CLIENT / DESCRIPTION 8 GALLON LOAF WITH INSERTS	
ALL DIMENSIONS ARE IN DECIMAL INCHES TOLERANCES UNLESS OTHERWISE SPECIFIED ± 1% @ 68° F		PART NO. SP0008-VM			