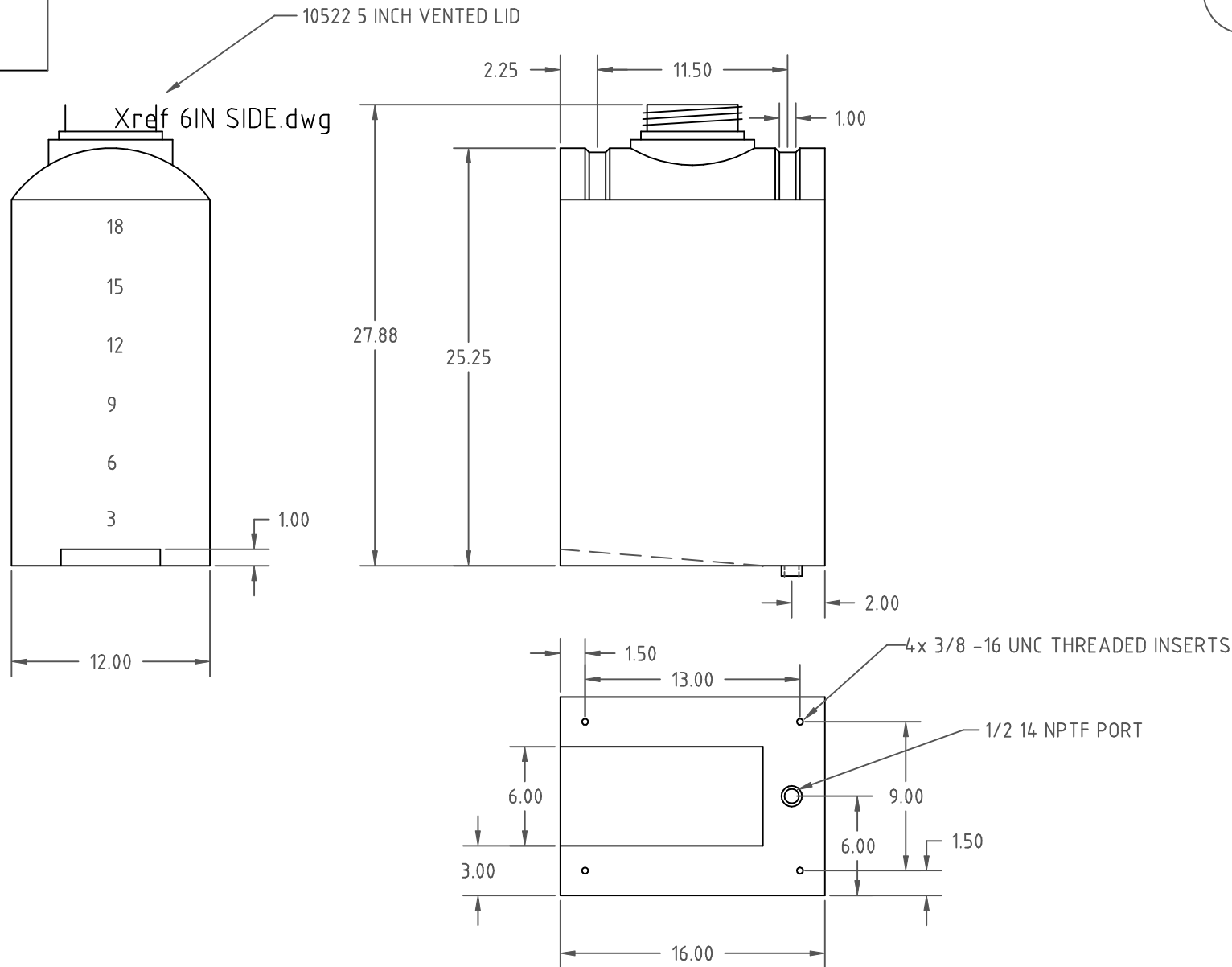



PROPRIETARY DATA

SP0019-VM

PROPERTY OF ACE ROTO-MOLD MFG., INC. INFORMATION FURNISHED HEREIN IS THE PROPERTY OF ACE ROTO-MOLD MFG., INC. AND SHALL NOT BE USED, DISCLOSED TO OTHERS, OR COPIED WITHOUT THE EXPRESSED WRITTEN CONSENT OF ACE ROTO-MOLD MFG., INC. ALL RIGHTS RESERVED.



		DRAWN / DATE DHJ 5/5/05		MATERIAL HDPE OR EQUIVALENT REFERENCE MATERIAL DATA SHEET FOR SPECIFIC PROPERTIES.		 ACE ROTO-MOLD A DIVISION OF DEN HARTOG INDUSTRIES, INC. 4018 HWY. 60 BLVD., BOX 421, HOSPERS, IOWA 51238	
		APPRD. / DATE ADH 11/15/07				CLIENT / DESCRIPTION 19 GALLON SPECIALITY LOAF TANK	
REV	DESCRIPTION	DATE	APPRD	NOTES: 1. NOM. WALL @ .230 2. SHOT WEIGHT 14 LBS.		SCALE N.S.	PART NO. SP0019-VM
ALL DIMENSIONS ARE IN DECIMAL INCHES TOLERANCES UNLESS OTHERWISE SPECIFIED $\pm 1\% @ 68^{\circ} F$				THIRD ANGLE PROJECTION ANSI 14.5M 