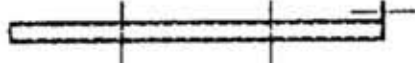
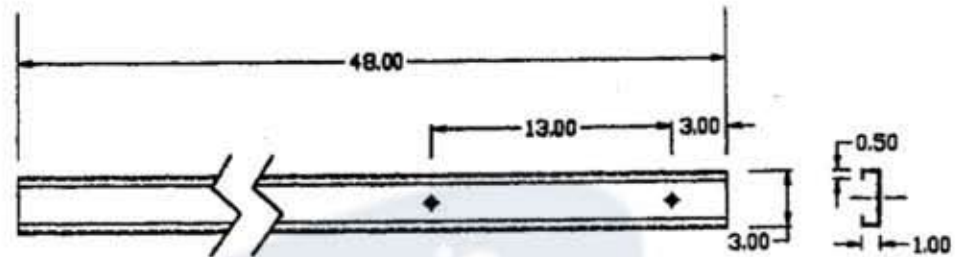
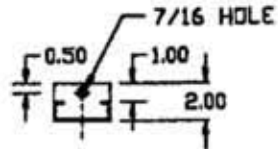


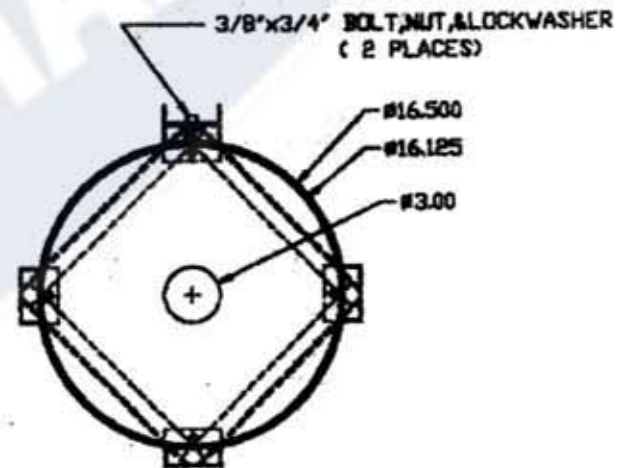
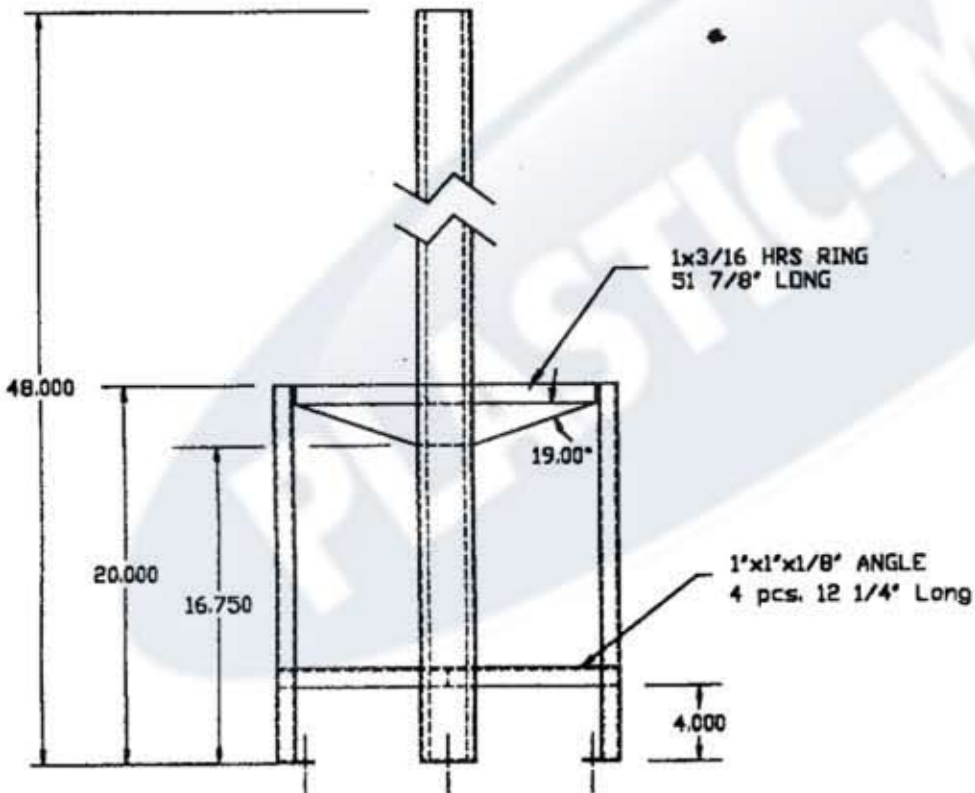
7/16 AGITATOR HOLES
(2 PLACES)



TYPICAL LEG DETAIL
12 GA. CRS 5 3/16"x 21 13/16"
4 PCS REQ. 1 WITH AGITATOR HOLES
3 WITHOUT AGITATOR HOLES.



AGITATOR
12 GA. CRS 5 3/16"x48"
FORM SIDES SAME AS LEG DETAIL



Rev. 2	Date 01/14/03	File Name
Rev. 1	Date 07/09/01	File Name
		Date 06/25/01
		Scale NONE
866-310-2556		Drawn By JIM B.
TITLE 1517-1519 CK CM STAND		
Part # TC1517CKCM / TC1519CKCM		