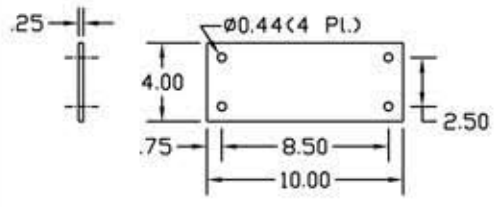
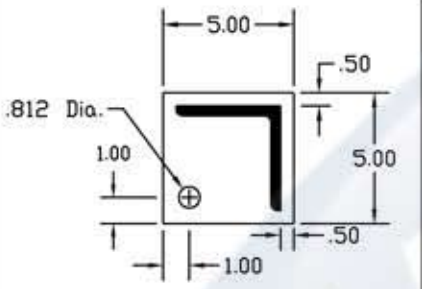


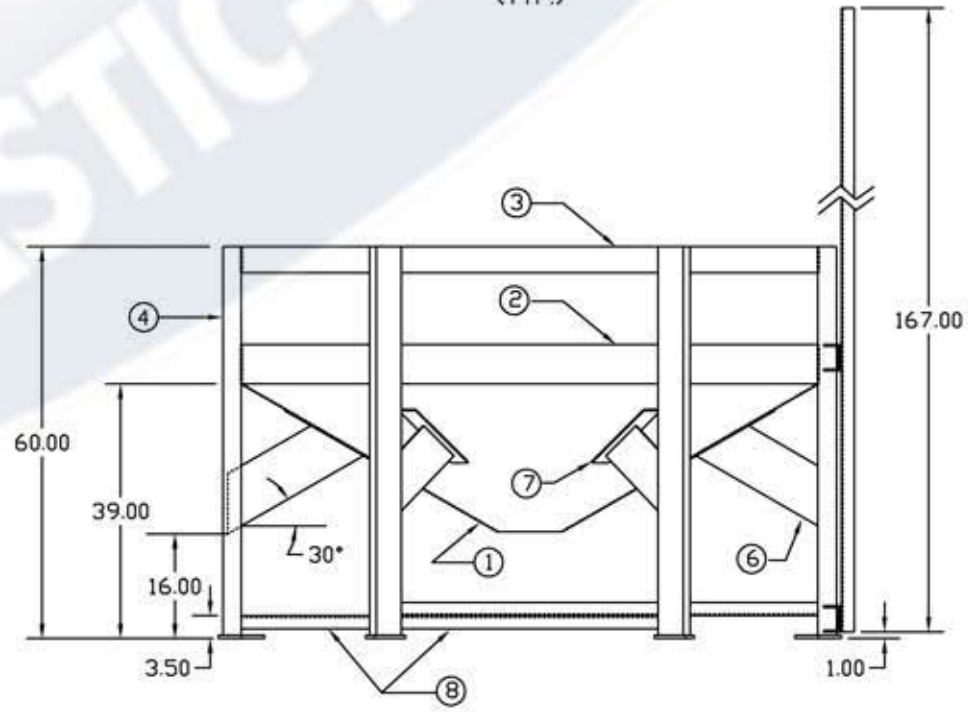
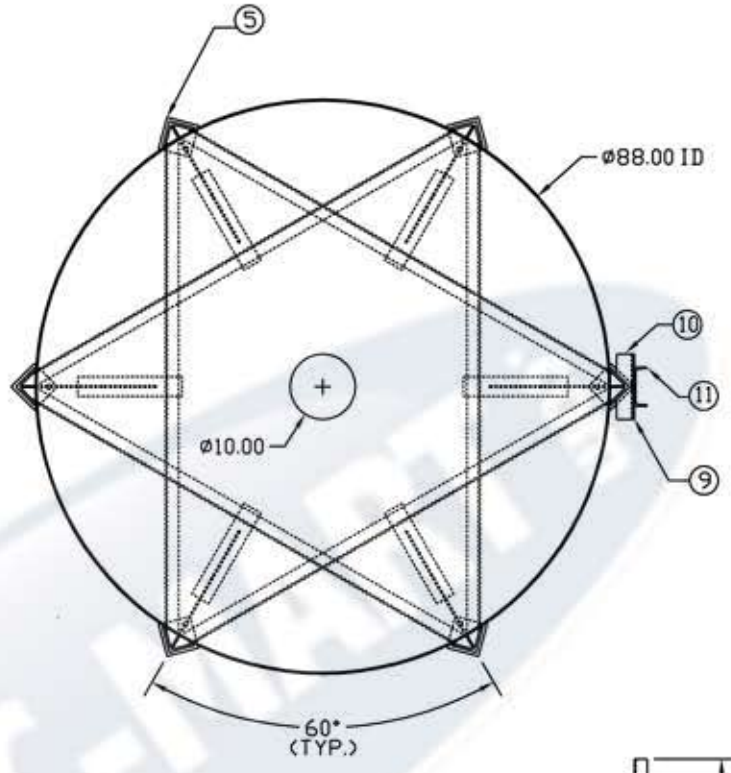
AGITATOR BRACKET  
DETAIL 'A'



AGITATOR MOUNT. PLATE  
DETAIL 'B'



FOOT PAD DETAIL



ITEM	QUAN.	DESCRIPTION
1	1	12 Ga. Cone 88" Dia., 30 Deg. w/10" Hole
2	1	6"x1/4" Flat Rolled to 88" ID
3	1	4"x1/4" Flat Rolled to 88" ID
4	6	4"x4"x3/8" Angle Legs 59-1/2" Long
5	6	1/2"x5"x5" Foot Pads w/13/16 Hole
6	6	Gussets 1/4"x8" Flat
7	6	3/16"x3" Back Up Plates 16" Long
8	6	2"x2"x1/4" Angle Bracing
9	2	1/4" Agitator Mounting Plates (Det 'B')
10	2	Agitator Mounting Brackets (Det 'A')
11	1	Agitator-6" 82# Channel 167" Long



866-310-2556

File Name	
Date	Scale
2/01/2011	NONE
Drawn By:	Cust. Rep.
JIM B.	

TITLE	
TC2500CM STAND	
Part #	Dwg #
	TC2500CK-CM STAND