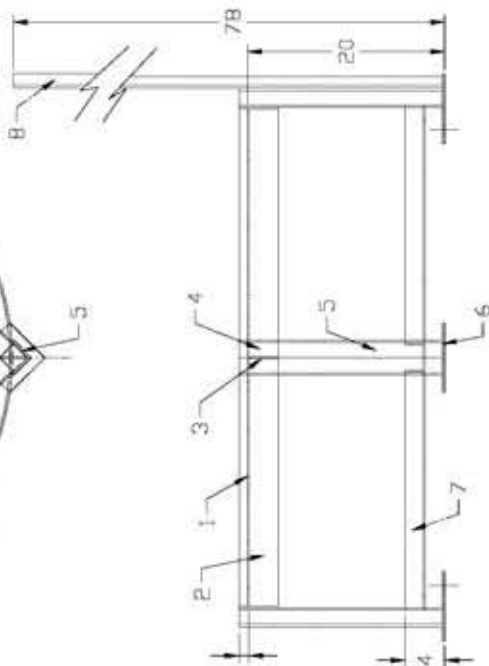
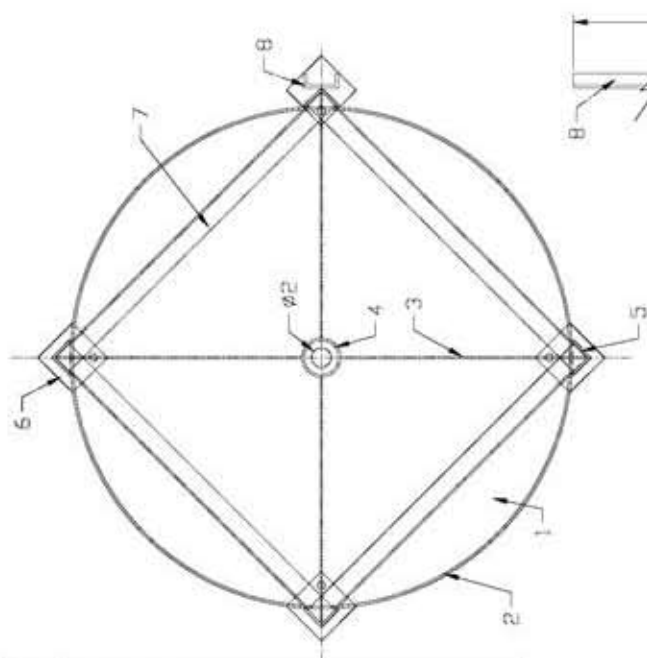


ITEM	QUAN	DESCRIPTION
1	1	PAN, 12 GA x 50-1/2 I. D. W/ HOLE ø2-INCH
2	1	RING, 1/4"x4"x50-1/2" I.D.
3	4	FLATS, 1/4"x3"
4	1	PIPE, 4" x SCH.40 x 3"
5	4	ANGLE, 2-1/2" x 2-1/2" x 1/4"
6	4	PAD, 5" x 5" x 1/4" W/ 13/16" HOLE
7	4	ANGLE, 2" x 2" x 3/16"

Rev. #	Date	File Name	Scale
2	11/07/00	4B4B4AKAN	
CHEM-TAINER		Date	Scale
Industries Inc.		10/20/00	
361 Neptune Ave.		Drawn By	East. Rep.
W. Babylon, NY 11704		ITA	
(631) 661-8200		Fax	(631) 661-8209
TITLE			
STAND FOR 360 GAL. OPEN TOP FLAT			
BOTTOM CYLINDRICAL TANK AS PER RYAN HERCO			
Part #		Dwg #	
TC4848AM/AK		S-4848-11	



ITEM	QUAN	DESCRIPTION
1	1	12 GA x 50-1/2 I. D. W/ HOLE ø2-INCH
2	1	1/4"x4"x50-1/2" I.D.
3	4	FLATS, 1/4"x3"
4	1	PIPE, 4" x SCH.40 x 3"
5	4	ANGLE, 2-1/2" x 2-1/2" x 1/4"
6	4	PAD, 5" x 5" x 1/4" W/ 13/16" HOLE
7	4	ANGLE, 2" x 2" x 3/16"
8	1	AGITATOR *BOLD DN* BRACKETS 6"x8.2"HR11x78" FOR DETAIL SEE DWG. NO. SS-00100

Rev. #	Date	File Name	Scale
2	11/07/00	4B4B4AKAN	
CHEM-TAINER		Date	Scale
Industries Inc.		10/20/00	
361 Neptune Ave.		Drawn By	East. Rep.
W. Babylon, NY 11704		ITA	
(631) 661-8200		Fax	(631) 661-8209
TITLE			
STAND FOR 360 GAL. OPEN TOP FLAT			
BOTTOM CYLINDRICAL TANK AS PER RYAN HERCO			
Part #		Dwg #	
TC4848AM/AK		S-4848-11	